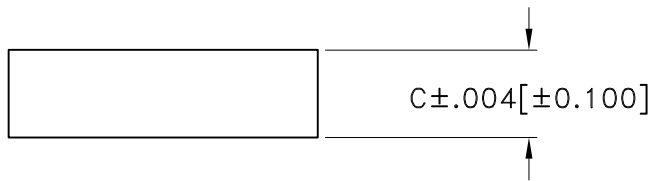
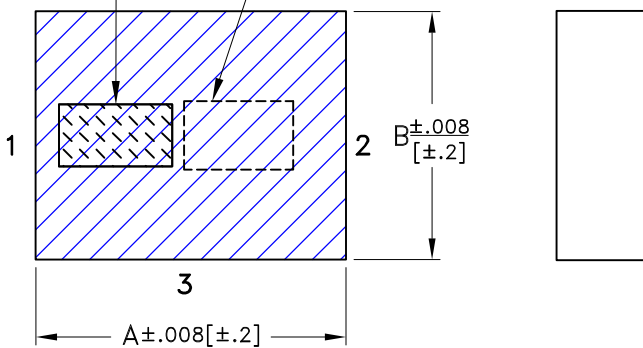


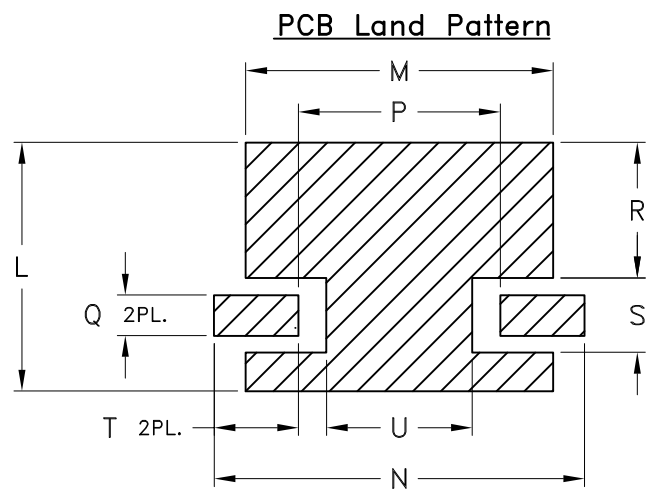
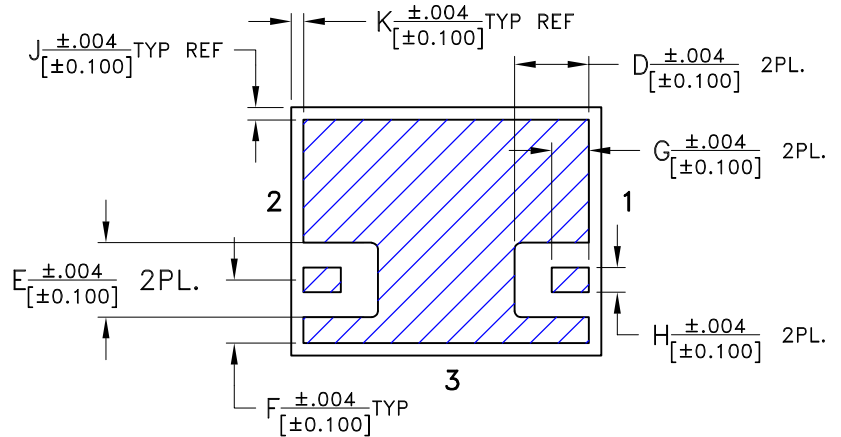
Outline Dimensions

NL1008C-6

INDEX AREA
ALPHANUMERIC MARKING MAY APPEAR ON THE DEVICE SEE SPECIFIC MODELS



DENOTES METALLIZATION



Suggested Layout,
Tolerance to be within ± 0.002

CASE#	A	B	C	D	E	F	G	H	J	K	L	M	N
NL1008C-6	.098 (2.50)	.079 (2.00)	.028 (.705)	.024 (.60)	.024 (.60)	.020 (.51)	.012 (.30)	.008 (.20)	.004 (.10)	.004 (.10)	.079 (2.0)	.098 (2.5)	.118 (3.0)

CASE #	P	Q	R	S	T	U	WT, GRAM
NL1008C-6	.064 (1.63)	.013 (.3)	.043 (1.09)	.024 (.60)	.027 (.7)	.046 (1.2)	.019

Dimensions are in inches (mm). Tolerances: 2 Pl. ± 0.01 ; 3 Pl. ± 0.005

Notes:

- Open style, ceramic base.
- Termination finish:
For RoHS Case Styles: Tin plate over Nickel plate. All models, (+) suffix.
For RoHS-5 Case Styles: Tin-Lead plate. All models, no (+) suffix.
- Pad tolerance is non-cumulative. Minimum spacing between each pad is .004.
- Line width should be designed to match 50Ω characteristic depending on PCB material and thickness.



P.O. Box 350166, Brooklyn, New York 11235-0003 (718) 934-4500 Fax (718) 332-4661 For detailed performance specs & shopping online see Mini-Circuits web site



The Design Engineers Search Engine Provides ACTUAL Data Instantly From MINI-CIRCUITS At: www.minicircuits.com

RF/IF MICROWAVE COMPONENTS