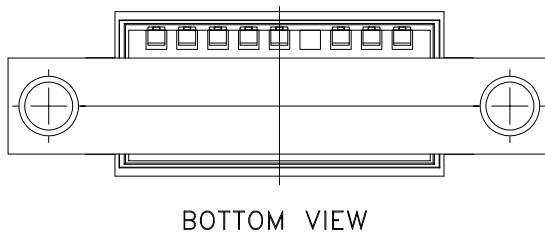
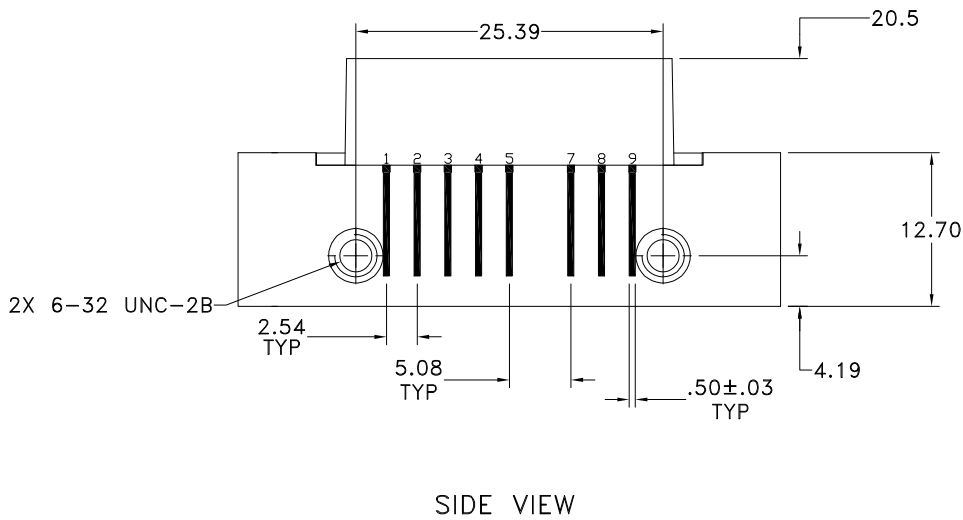
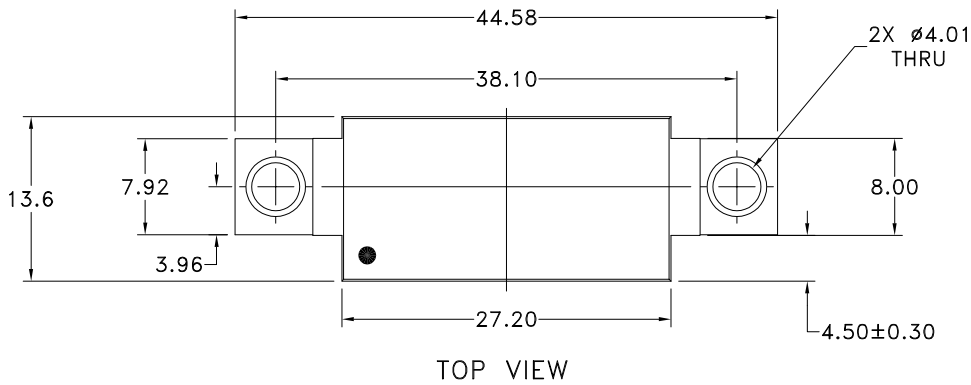


Case Style

NP

Outline Dimensions

NP3629-3



Notes:

1. Cover material: Plastic.
2. Heatsink Finish: Electroless Nickel
3. Pin Material: Phosphor Bronze
4. Pin Finish: Gold

Approx. Weight: 12 grams

Dimensions are in mm. Tolerances: X.X = ± 0.5 mm Unless Otherwise Specified
X.XX = ± 0.25 mm

Mini-Circuits®
ISO 9001 ISO 14001 CERTIFIED

ALL NEW
minicircuits.com

P.O. Box 350166, Brooklyn, New York 11235-0003 (718) 934-4500 Fax (718) 332-4661 For detailed performance specs & shopping online see Mini-Circuits web site



The Design Engineers Search Engine Provides ACTUAL Data Instantly From MINI-CIRCUITS At: www.minicircuits.com

RF/IF MICROWAVE COMPONENTS