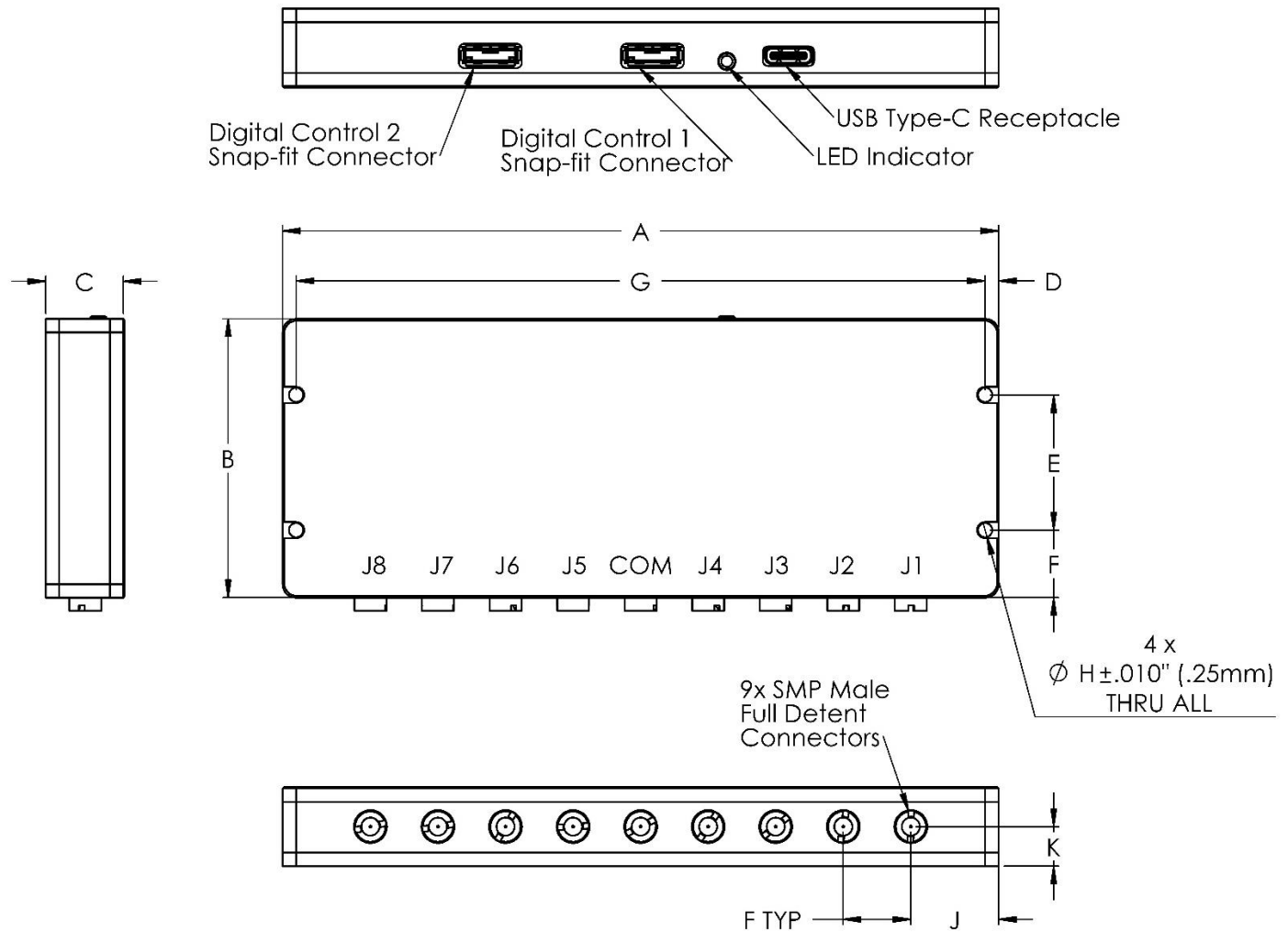


Case Style

NR

Outline Dimensions

NR3314



CASE#	A	B	C	D	E	F	G	H	J	K	WT. GRAMS
NR3314	5.30 (134.62)	2.063 (52.40)	.575 (14.61)	.100 (2.54)	1.000 (25.40)	.500 (12.70)	5.100 (129.54)	.106 (2.69)	.650 (16.51)	.293 (7.43)	185

Dimensions are in inches (mm). Tolerances: 2PL. +/- .03; 3PL. +/- .015

Notes:

1. Case material: Nickel Plated Aluminum.



www.minicircuits.com P.O. Box 350166, Brooklyn, NY 11235-0003 (718) 934-4500 sales@minicircuits.com