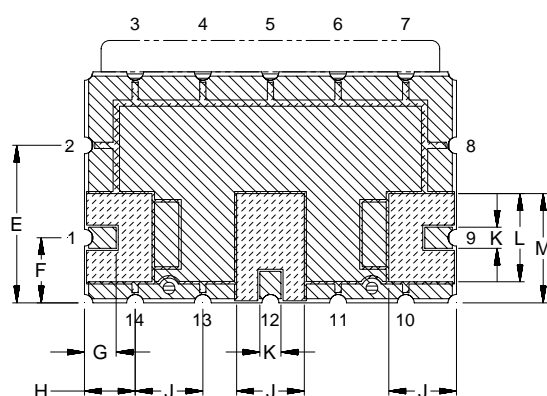
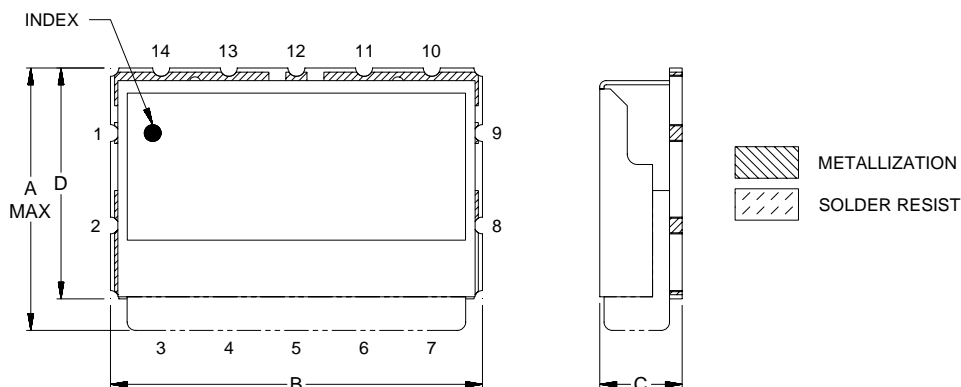
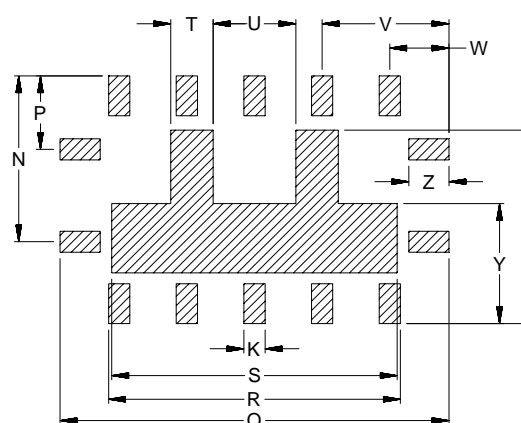


## Outline Dimensions

NT1997



### PCB Land Pattern



Suggested Layout,  
Tolerance to be within  $\pm .002$

CASE#	A	B	C		D	E	F	G	H	J	K	L	M	N
			Min	Max										
NT1997	.625 (15.88)	.880 (22.35)	.200 (5.10)	.215 (5.47)	.550 (13.97)	.375 (9.53)	.155 (3.94)	.075 (1.91)	.120 (3.05)	.160 (4.06)	.050 (1.27)	.210 (5.33)	.260 (6.60)	.395 (10.03)

CASE#	P	Q	R	S	T	U	V	W	X	Y	Z	WT.GRAMS
NT1997	.175 (4.45)	.920 (23.37)	.690 (17.53)	.675 (17.15)	.100 (2.54)	.196 (4.98)	.300 (7.62)	.140 (3.56)	.461 (11.71)	.286 (7.26)	.095 (2.41)	3.8

Dimensions are in inches (mm). Tolerances: 2Pl.  $\pm .03$ ; 3Pl.  $\pm .015$

### Notes:

- Case material: Nickel-Silver alloy.
- Base: Printed wiring laminate.
- Termination finish:  
For RoHS Case Styles: 2-5  $\mu$  inch (.05-.13 microns) Gold over 120-240  $\mu$  inch (3.05-6.10) Nickel plate.  
All models, (+) suffix.

**Mini-Circuits®**  
ISO 9001 ISO 14001 CERTIFIED

ALL NEW  
minicircuits.com

P.O. Box 350166, Brooklyn, New York 11235-0003 (718) 934-4500 Fax (718) 332-4661 For detailed performance specs & shopping online see Mini-Circuits web site



The Design Engineers Search Engine Provides ACTUAL Data Instantly From MINI-CIRCUITS At: [www.minicircuits.com](http://www.minicircuits.com)

RF/IF MICROWAVE COMPONENTS