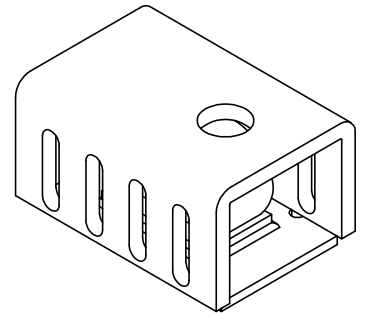


Case Style

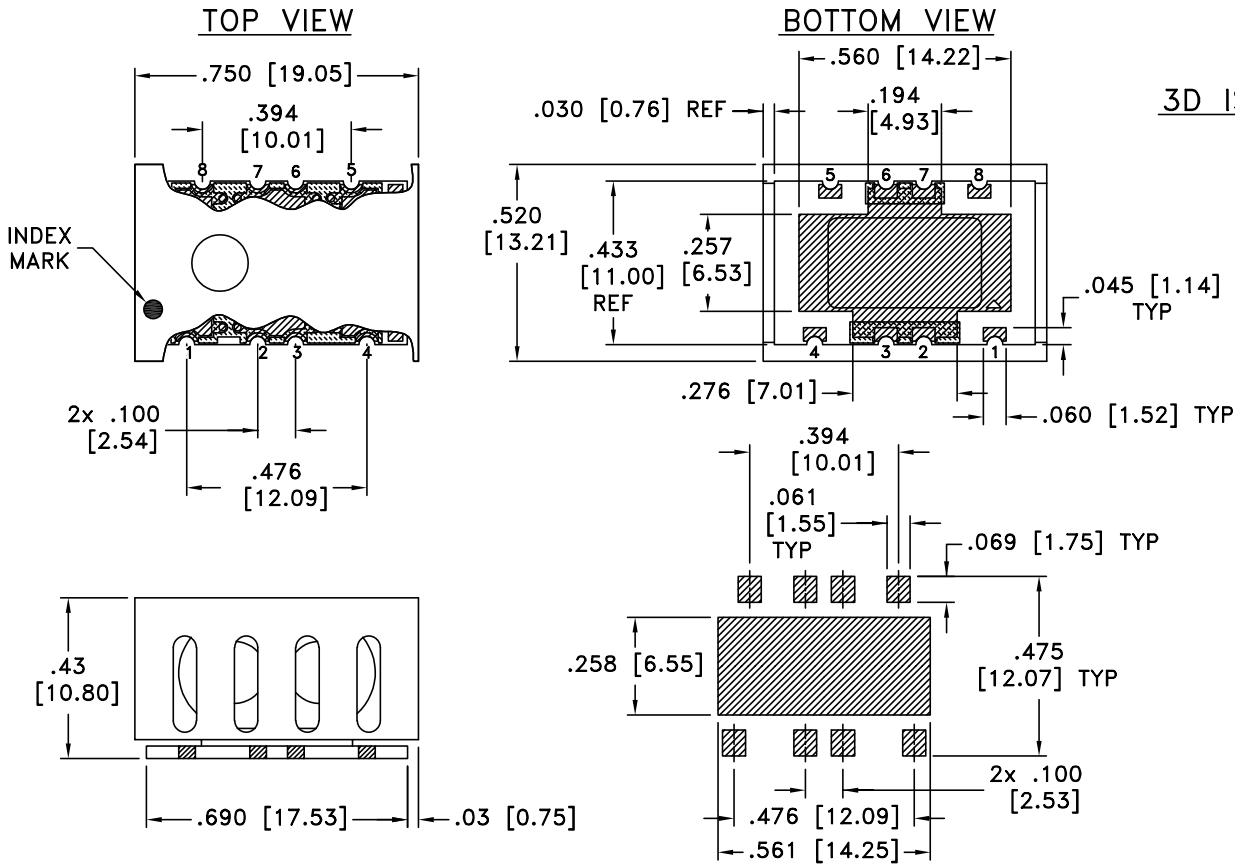
Outline Dimensions

PD


PD1647-6



3D ISOMETRIC VIEW



Suggested Layout,
Tolerance to be within $\pm .002$

-  DENOTES METALLIZATION
-  DENOTES SOLDER RESIST

Weight: 2.6 grams

Dimensions are in inches [mm]. Tolerances: 2 Pl. $\pm .01$; 3 Pl. $\pm .005$ Inches

Notes:

1. Heat sink material: Black anodized aluminum alloy.
2. Base material: Printed wiring laminate.
3. Termination finish: Tin copper solder alloy up to 0.07% Nickel. All models, (+) suffix.

 **Mini-Circuits**[®]
ISO 9001 ISO 14001 CERTIFIED

ALL NEW


P.O. Box 350166, Brooklyn, New York 11235-0003 (718) 934-4500 Fax (718) 332-4661 For detailed performance specs & shopping online see Mini-Circuits web site



The Design Engineers Search Engine Provides ACTUAL Data Instantly From MINI-CIRCUITS At: www.minicircuits.com

RF/MICROWAVE COMPONENTS