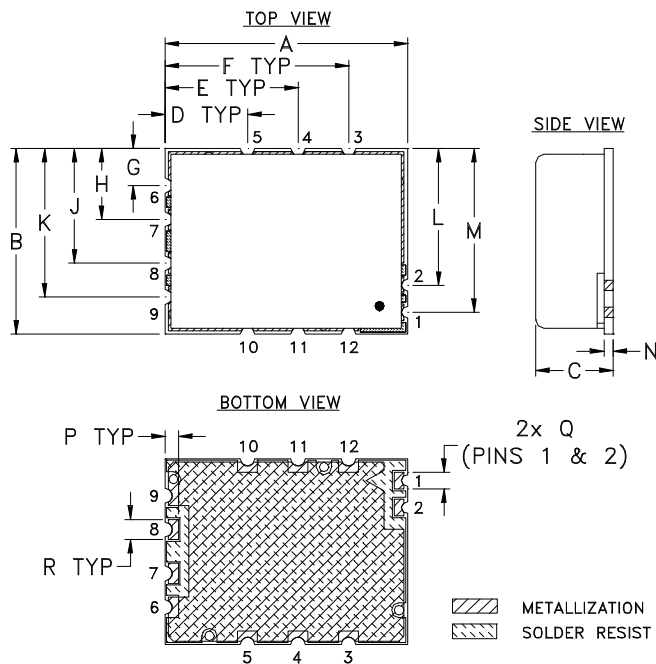
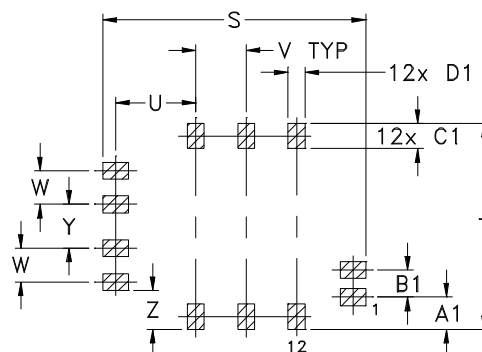


Outline Dimensions

PE1259



PCB Land Pattern



Suggested Layout,
Tolerance to be within ± 0.002

CASE #	A	B	C	D	E	F	G	H	J	K	L	M	N
PE1259	.720 (18.29)	.550 (13.97)	.23 (5.84)	.245 (6.22)	.395 (10.03)	.545 (13.84)	.110 (2.79)	.210 (5.33)	.340 (8.64)	.440 (11.12)	.405 (10.29)	.485 (12.32)	.028 (.71)

CASE #	P	Q	R	S	T	U	V	W	Y	Z	A1	B1	C1
PE1259	.040 (1.02)	.050 (1.27)	.060 (1.52)	.780 (19.81)	.610 (15.49)	.238 (6.05)	.150 (3.81)	.100 (2.54)	.130 (3.30)	.115 (2.92)	.095 (2.41)	.080 (2.03)	.075 (1.90)

CASE #	D1	WT. GRAMS
PE1259	.050 (1.27)	1.2

Dimensions are in inches (mm). Tolerances: 2Pl. $\pm .03$; 3 Pl. $\pm .015$

Notes:

- Case material: Nickel-Silver alloy.
- Header: Printed wiring laminate.
- Termination finish:

For For RoHS Case Styles: Tin plate over Nickel plate. All models, (+) suffix.

For RoHS-5 Case Styles: Tin-Lead plate. All models, no (+) suffix.



INTERNET <http://www.minicircuits.com>

P.O. Box 350166, Brooklyn, New York 11235-0003 (718) 934-4500 Fax (718) 332-4661

Distribution Centers NORTH AMERICA 800-654-7949 • 417-335-5935 • Fax 417-335-5945 • EUROPE 44-1252-832600 • Fax 44-1252-837010

Mini-Circuits ISO 9001 & ISO 14001 Certified