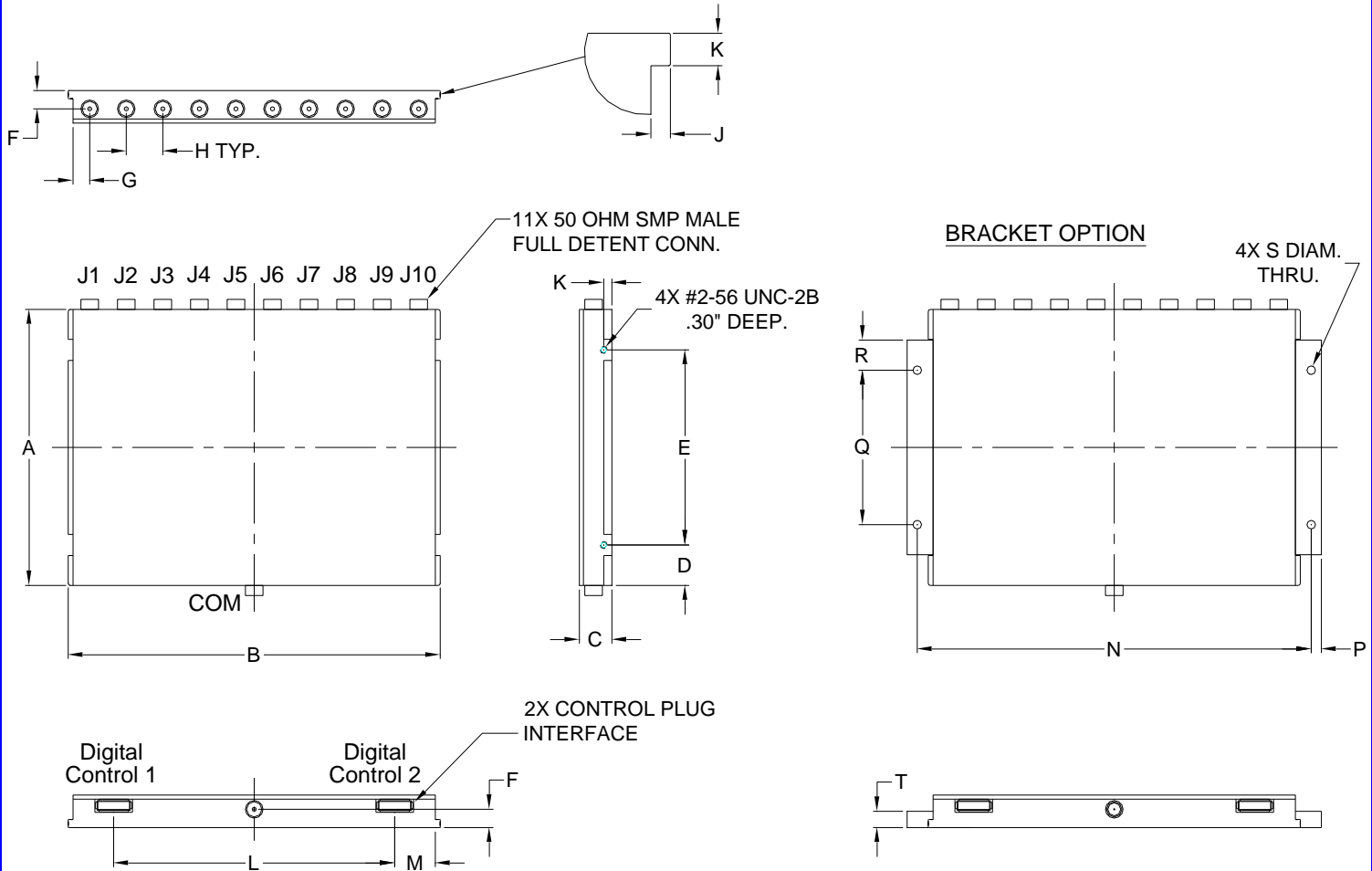


Case Style

PM

Outline Dimensions

PM2137



CASE#	A	B	C	D	E	F	G	H	J	K	L	M	N	P
PM2137	3.395 (86.23)	4.580 (116.33)	.400 (10.16)	.497 (12.64)	2.400 (60.96)	.225 (5.72)	.205 (5.21)	.450 (11.4)	.060 (1.52)	.100 (2.54)	3.460 (87.88)	.500 (12.70)	4.850 (123.19)	.125 (3.18)

CASE#	Q	R	S	T	WT. GRAMS
PM2137	1.900 (48.26)	.370 (9.40)	.106 (2.69)	.200 (5.08)	200

Dimensions are in inches (mm). Tolerances: 2PL. +/- .03; 3PL. +/- .015

Notes:

1. Case material: Aluminum alloy.
2. Case finish for RoHS Case Styles: Clear chemical conversion coating, non-chrome or trivalent chrome based.

Mini-Circuits[®]

Distribution Centers NORTH AMERICA 800-654-7949 • 417-335-5935 • Fax 417-335-5945 • EUROPE 44-1252-832600 • Fax 44-1252-837010

Mini-Circuits ISO 9001 & ISO 14001 Certified

INTERNET <http://www.minicircuits.com>

P.O. Box 350166, Brooklyn, New York 11235-0003 (718) 934-4500 Fax (718) 332-4661