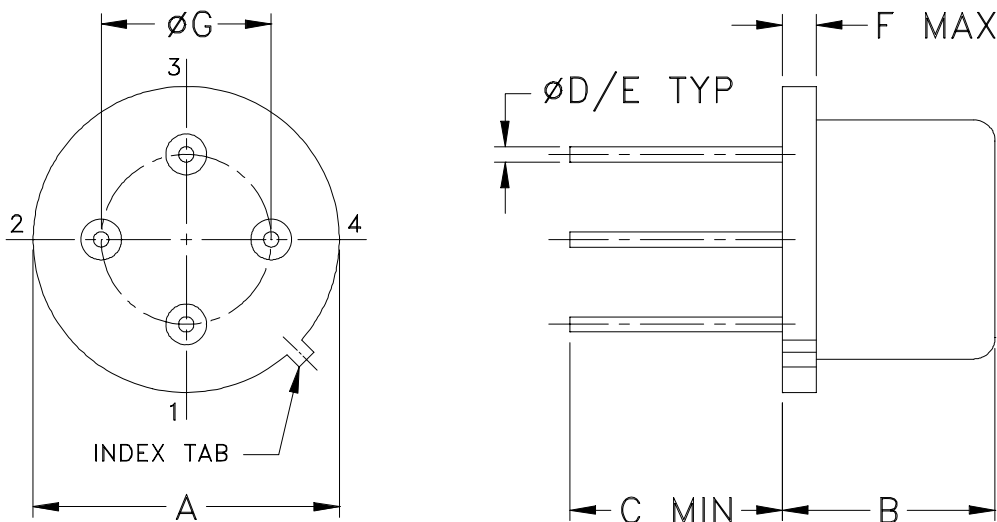


Outline Dimensions

PP120
PP230



CASE#	A	B	C	D	E	F	G	WT, GRAM
PP120	.50 (12.70)	.21 (5.33)	.15 (3.81)	.016 (.41)	.020 (.51)	.04 (1.02)	.300 (7.62)	1.5
PP230		.250 (6.35)	.24 (6.10)					1.8

Dimensions are in inches (mm). Tolerances: 2 Pl. $\pm .03$; 3 Pl. $\pm .015$

Notes:

- Header material: C.R.S. or kovar.
Pin material: # 52 alloy or kovar.
Cover material: Nickel.
- Pin finish: Gold plate 25 μ inches (.64 microns) min.
- For pin designations see specifications data sheet.
- Pin numbers do not appear on unit, for reference only.

Mini-Circuits[®]

INTERNET <http://www.minicircuits.com>

P.O. Box 350166, Brooklyn, New York 11235-0003 (718) 934-4500 Fax (718) 332-4661

Distribution Centers NORTH AMERICA 800-654-7949 • 417-335-5935 • Fax 417-335-5945 • EUROPE 44-1252-832600 • Fax 44-1252-837010

Mini-Circuits ISO 9001 & ISO 14001 Certified