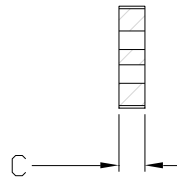
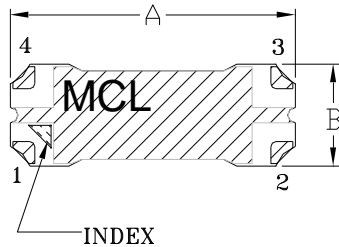


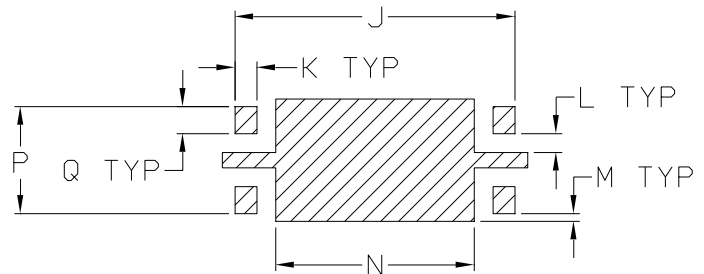
Outline Dimensions

PQ2099-3

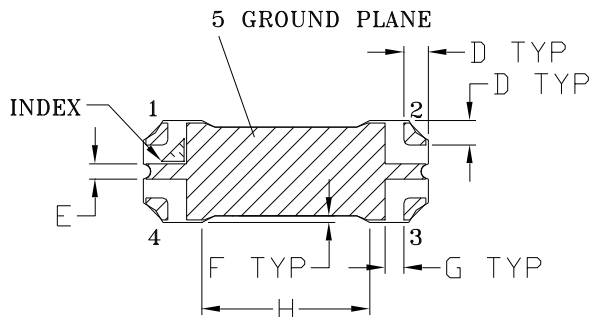
TOP SIDE



PCB LAND PATTERN



BOTTOM SIDE



CASE#	A	B	C	D	E	F	G	H	J	K	L	M	N
PQ2099-3	.560 (14.22)	.200 (5.08)	.051 (1.30)	.048 (1.22)	.030 (0.76)	.013 (0.33)	.037 (0.94)	.330 (8.38)	.550 (13.97)	.043 (1.09)	.037 (0.94)	.015 (0.38)	.390 (9.91)

CASE#	P	Q	WT. GRAMS
PQ2099-3	.210 (5.33)	.053 (1.35)	1.2

Dimensions are in inches (mm). Tolerances: 2PL. +/- .03; 3PL. +/- .010

Notes:

1. Base material: Printed wiring laminate.
2. Termination finish:
For RoHS Cases, all models (+) suffix: 2-5 µinch (.05-.13 microns) Immersion Gold.
For RoHS-5 Cases, all models no (+) suffix: Tin-Lead plate.



INTERNET <http://www.minicircuits.com>

P.O. Box 350166, Brooklyn, New York 11235-0003 (718) 934-4500 Fax (718) 332-4661

Distribution Centers NORTH AMERICA 800-654-7949 • 417-335-5935 • Fax 417-335-5945 • EUROPE 44-1252-832600 • Fax 44-1252-837010

Mini-Circuits ISO 9001 & ISO 14001 Certified