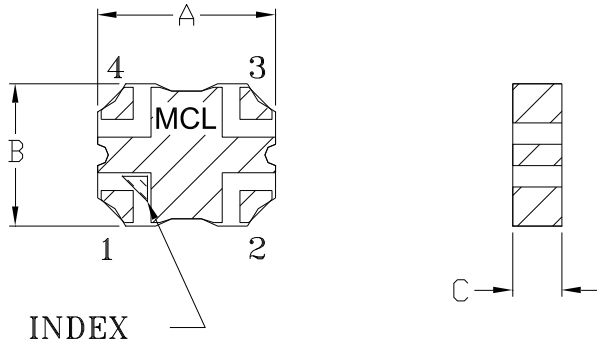


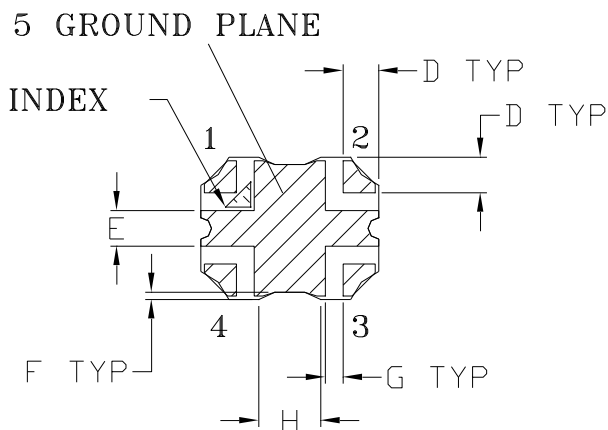
## Outline Dimensions

PQ2482

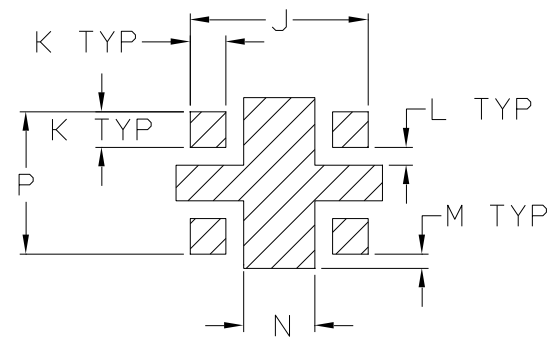
### TOP SIDE



### BOTTOM SIDE



### PCB LAND PATTERN



 METALLIZATION  SOLDER RESIST

CASE#	A	B	C	D	E	F	G	H	J	K	L	M	N	P	WT. GRAMS
PQ2482	.250 (6.35)	.200 (5.08)	.069 (1.75)	.050 (1.27)	.050 (1.27)	.010 (0.25)	.025 (0.63)	.087 (2.21)	.260 (6.35)	.055 (1.40)	.025 (0.63)	.020 (0.51)	.100 (2.54)	.210 (5.33)	0.5

Dimensions are in inches (mm). Tolerances: 2PL. +/- .03; 3PL. +/- .010

### Notes:

1. Base material: Printed wiring laminate.
2. Termination finish:  
For RoHS Cases, all models (+) suffix: 2-5 μinch (.05-.13 microns) Immersion Gold.  
For RoHS-5 Cases, all models no (+) suffix: Tin-Lead plate.



INTERNET <http://www.minicircuits.com>

P.O. Box 350166, Brooklyn, New York 11235-0003 (718) 934-4500 Fax (718) 332-4661

Distribution Centers NORTH AMERICA 800-654-7949 • 417-335-5935 • Fax 417-335-5945 • EUROPE 44-1252-832600 • Fax 44-1252-837010

Mini-Circuits ISO 9001 & ISO 14001 Certified