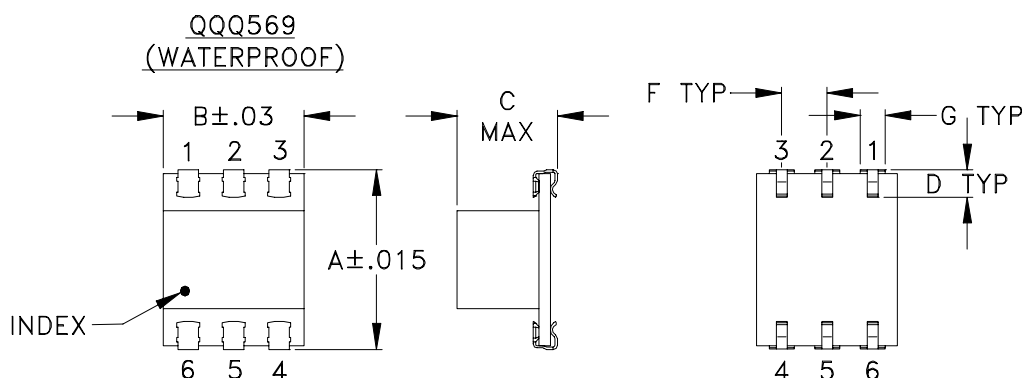


# Case Style

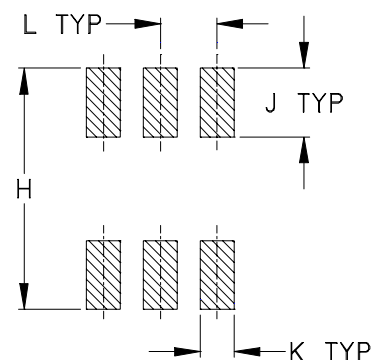
# QQQ

## QQQ569 (waterproof)

### Outline Dimensions



### PCB Land Pattern



Suggested Layout,  
Tolerance to be within  $\pm .002$

CASE#	A	B	C	D	E	F	G	H	J	K	L	M	WT, GRAM
QQQ569	.390 (9.90)	.31 (7.87)	.225 (5.72)	.060 (1.52)	-	.100 (2.54)	.045 (1.14)	.420 (10.67)	.120 (3.05)	.060 (1.52)	.100 (2.54)	-	.50

Dimensions are in inches (mm). Tolerances: 2 Pl.  $\pm .01$ ; 3 Pl.  $\pm .005$

#### Notes:

- Case material: Ceramic.
- Termination finish:
  - For RoHS Case Styles: Tin plate over Nickel plate.
  - For RoHS-5 Case Styles: Tin-Lead plate.

**Mini-Circuits**

INTERNET <http://www.minicircuits.com>

P.O. Box 350166, Brooklyn, New York 11235-0003 (718) 934-4500 Fax (718) 332-4661

Distribution Centers NORTH AMERICA 800-654-7949 • 417-335-5935 • Fax 417-335-5945 • EUROPE 44-1252-832600 • Fax 44-1252-837010

Mini-Circuits ISO 9001 & ISO 14001 Certified