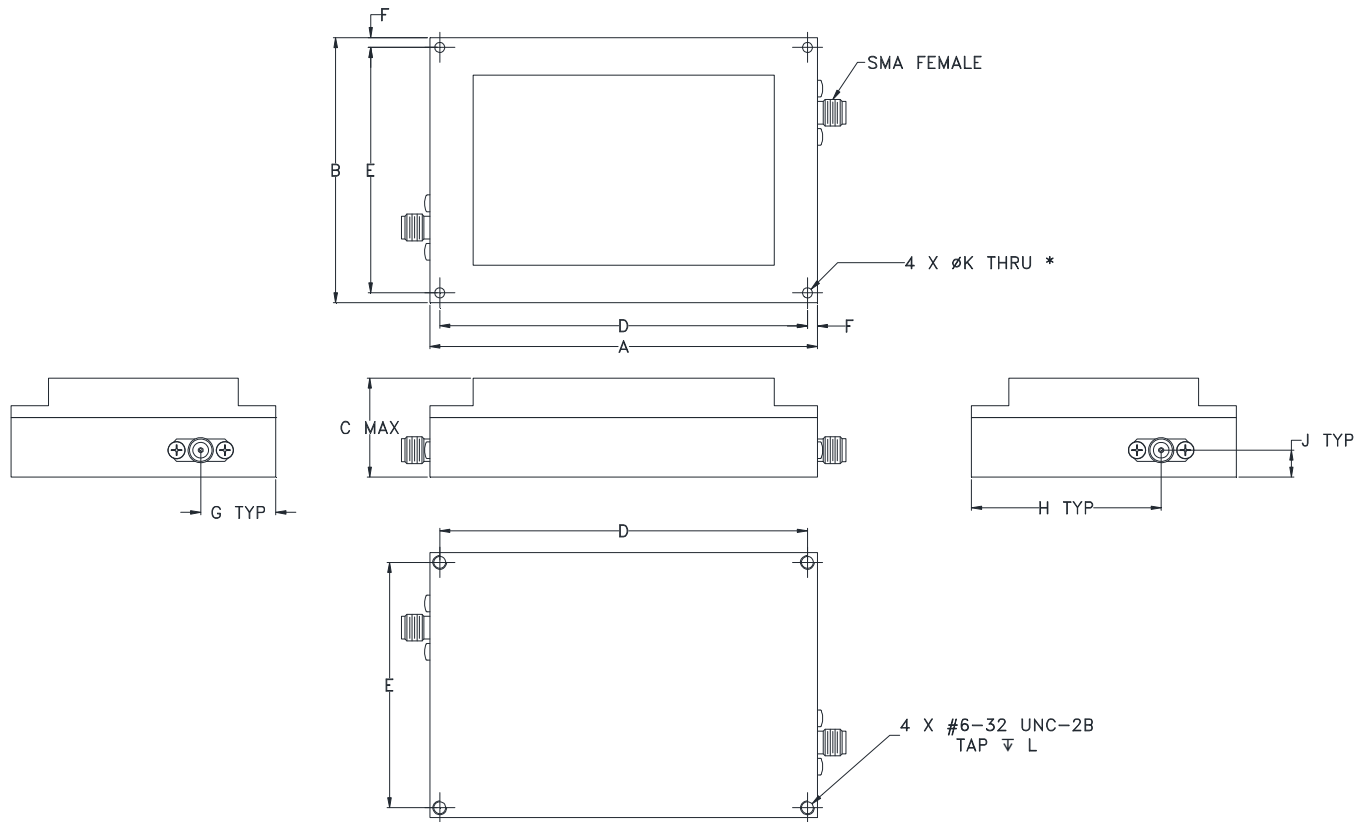


## Outline Dimensions

QZ2439



CASE#	A	B	C	D	E	F	G
QZ2439	3.86 (98.00)	2.64 (67.00)	.98 (25.00)	3.66 (93.00)	2.44 (62.00)	.1 (2.50)	.75 (19.00)

CASE#	H	J	K*	L	WT.GRAMS
QZ2439	1.89 (48.00)	.27 (6.80)	.100 (2.54)	.24 [6.00]	240

Dimensions are in inches (mm). Tolerances: 2 Pl.  $\pm .100$ ; 3 Pl.  $\pm .015$

\* Optional Feature for Mounting.

### Notes:

- Case material: Brass & Aluminum alloy.
- Case finish:
  - Case & Cover of the units – Polyurethane spray painted over silver plating.
- Refer to the individual model data sheet for the type of connectors available.



P.O. Box 350166, Brooklyn, New York 11235-0003 (718) 934-4500 Fax (718) 332-4661 For detailed performance specs & shopping online see Mini-Circuits web site



The Design Engineers Search Engine Provides ACTUAL Data Instantly From MINI-CIRCUITS At: [www.minicircuits.com](http://www.minicircuits.com)

RF/IF MICROWAVE COMPONENTS