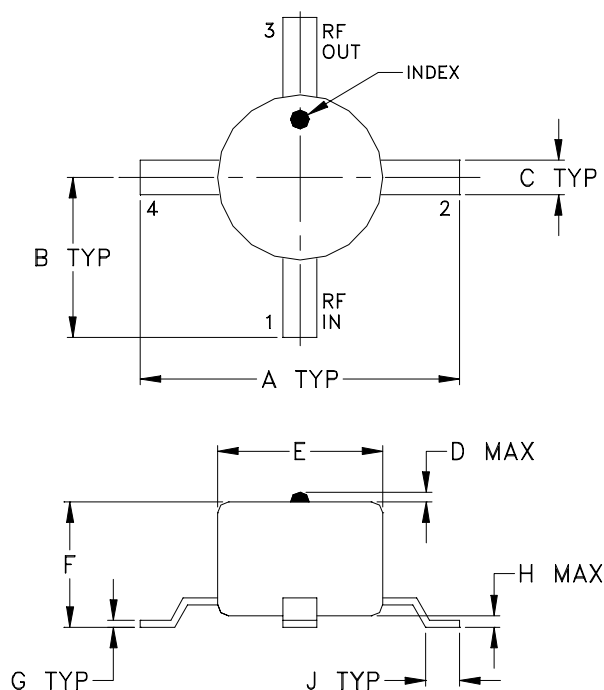
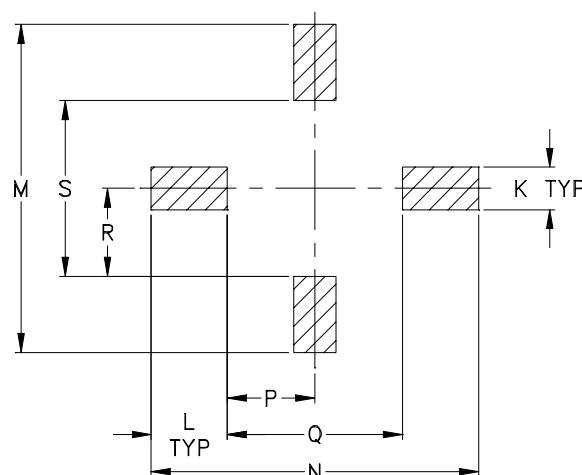


### Outline Dimensions



### PCB Land Pattern



Suggested Layout,  
Tolerance to be within  $\pm .002$

CASE #	A	B	C	D	E	F	G	H	J	K	L	M	N
RRR137	.28 (7.11)	.14 (3.56)	.030 (.76)	.020 (0.51)	.145 (3.68)	.110 (2.79)	.007 (0.18)	.020 (0.51)	.03 (0.76)	.040 (1.02)	.072 (1.83)	.310 (7.87)	.310 (7.87)

CASE #	P	Q	R	S	WT. GRAM
RRR137	.084 (2.13)	.167 (4.24)	.084 (2.13)	.167 (4.24)	.015

Dimensions are in inches (mm). Tolerances: 2 Pl.  $\pm .02$ ; 3 Pl.  $\pm .015$

#### Notes:

- Case material: Plastic.
- Termination finish:  
For RoHS Case Styles: Tin-Silver-Nickel plate. All models, (+) suffix.  
For RoHS-5 Case Styles: Tin-Lead plate. All models, No (+) suffix.
- RF output is identified by index mark, model dash number by alphanumeric code.
- Special Tolerances: Termination width  $\pm .005$  inch, termination thickness  $\pm .003$  inch.