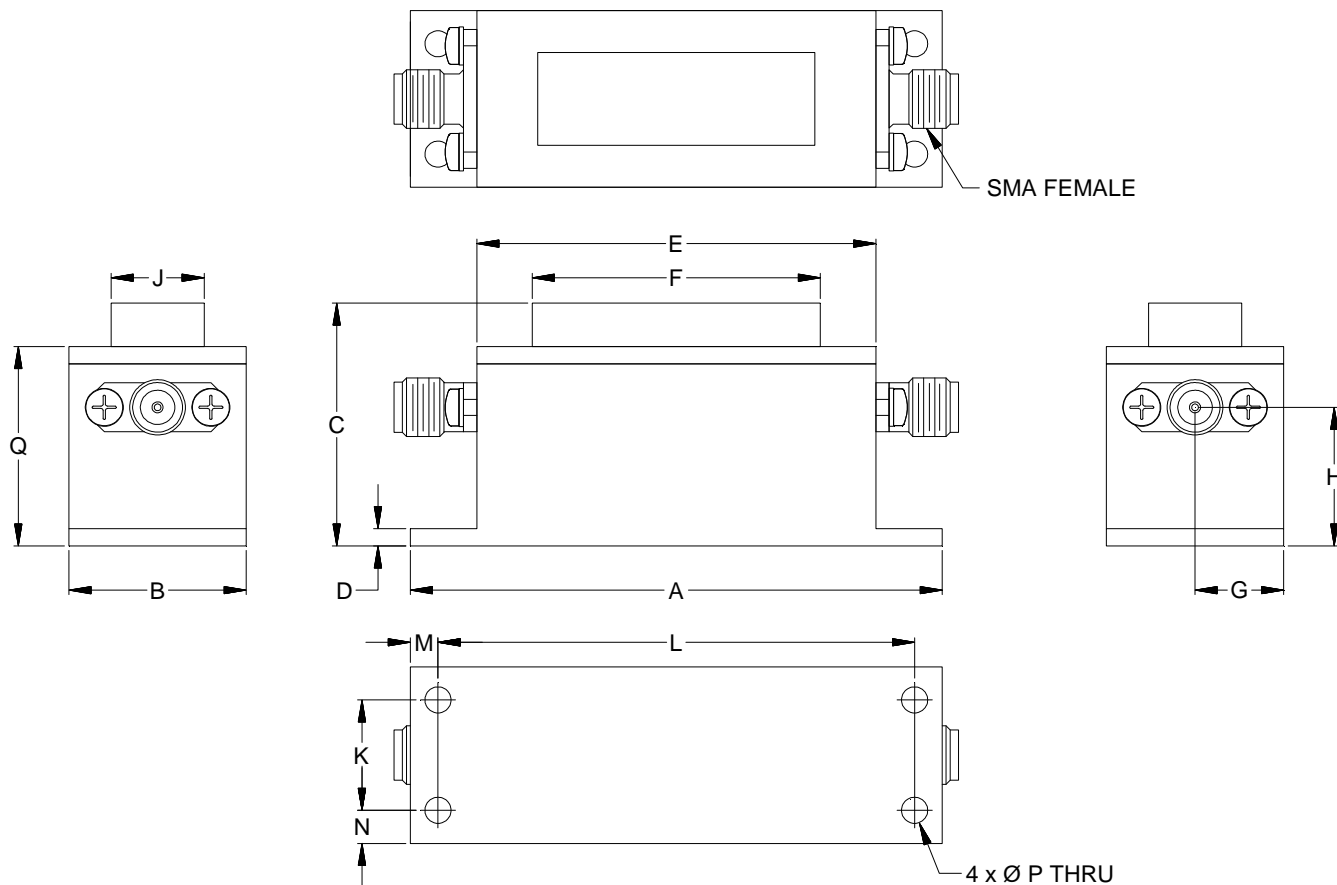


Outline Dimensions

RW2359



CASE#	A	B	C	D	E	F	G	H
RW2359	2.40 (60.96)	.80 (20.32)	1.10 (27.96)	.08 (2.00)	1.80 (45.72)	1.30 (33.02)	.40 (10.16)	.63 (15.96)

CASE#	J	K	L	M	N	P	Q	WT.GRAMS
RW2359	.42 (10.67)	.500 (12.70)	2.150 (54.61)	.13 (3.18)	.15 (3.81)	.118 (3.00)	.90 (22.96)	54

Dimensions are in inches (mm). Tolerances: 2 Pl. + .100: 3 Pl. + .015

Notes:

- Case material: Aluminum alloy.
- Case finish:
 - Case & Cover of the units – Polyurethane spray painted over silver plating.
- Refer to the individual model data sheet for the type of connectors available.



P.O. Box 350166, Brooklyn, New York 11235-0003 (718) 934-4500 Fax (718) 332-4661 For detailed performance specs & shopping online see Mini-Circuits web site



The Design Engineers Search Engine Provides ACTUAL Data Instantly From MINI-CIRCUITS At: www.minicircuits.com

RF/IF MICROWAVE COMPONENTS