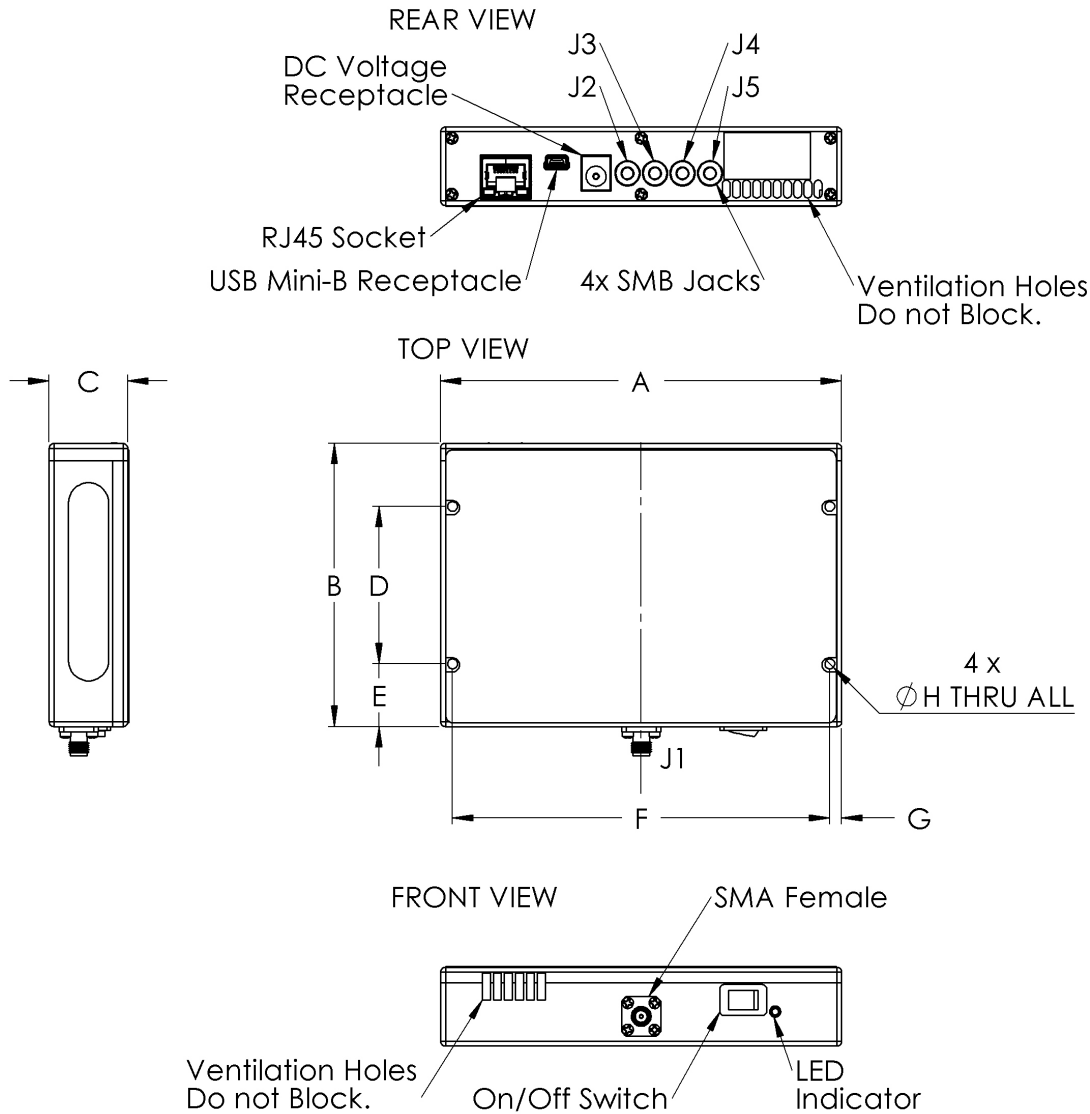


# Case Style

# SL

## Outline Dimensions

## SL2686



CASE#	A	B	C	D	E	F	G	H	Wt. Grams
SL2686	5.10 (129.5)	3.60 (91.4)	1.00 (25.4)	2.000 (50.80)	.800 (20.32)	4.800 (121.92)	.150 (3.81)	.125 (3.18)	600

Dimensions are in inches (mm). Tolerances: 2PL. +/- .03; 3PL. +/- .015

### Notes:

1. Case material: Aluminum alloy.
2. Case finish: Nickel Plate.

**Mini-Circuits®**

INTERNET <http://www.minicircuits.com>

P.O. Box 350166, Brooklyn, New York 11235-0003 (718) 934-4500 Fax (718) 332-4661

Distribution Centers NORTH AMERICA 800-654-7949 • 417-335-5935 • Fax 417-335-5945 • EUROPE 44-1252-832600 • Fax 44-1252-837010

Mini-Circuits ISO 9001 & ISO 14001 Certified