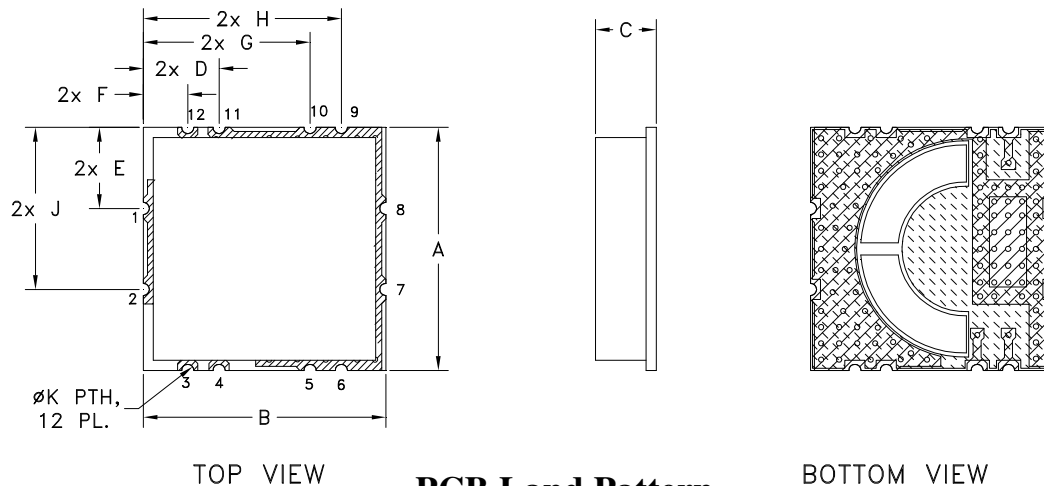
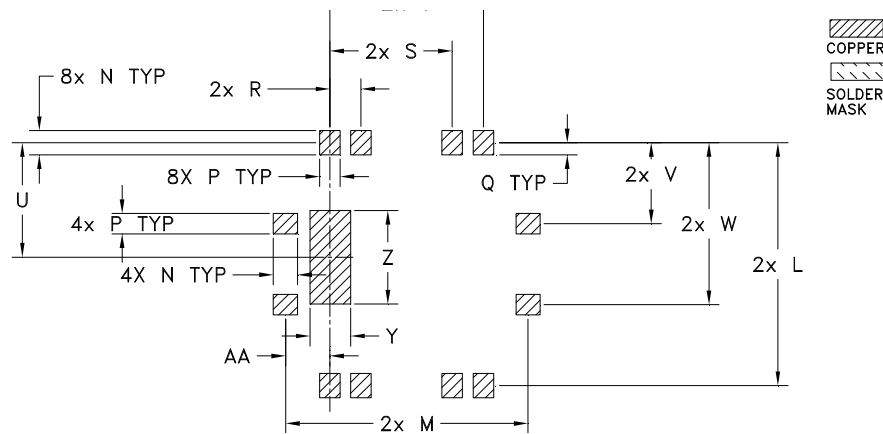


## Outline Dimensions

SN2595



## PCB Land Pattern



Suggested Layout,  
Tolerance to be within  $\pm 0.002$

CASE #	A	B	C	D	E	F	G	H	J	K
SN2595	.600 (15.24)	.600 (15.24)	.150 (3.81)	.187 (4.76)	.200 (5.08)	.110 (2.79)	.412 (10.48)	.490 (12.45)	.400 (10.16)	.030 (0.762)
CASE #	L	M	N	P	Q	R	S	T	U	V
SN2595	.600 (15.24)	.600 (15.24)	.060 (1.53)	.050 (1.28)	.030 (.76)	.076 (1.94)	.303 (7.68)	.380 (9.65)	.283 (7.18)	.200 (5.08)
CASE #	W	Y	Z	AA	WT. GRAM					
SN2595	.400 (10.16)	.100 (2.54)	.231 (5.87)	.110 (2.79)	1.2					

Dimensions are in inches (mm). Tolerances: 3Pl.  $\pm .005$

### Notes:

- Case material: Nickel-Silver alloy.
- Base: Printed wiring laminate.
- Termination finish:  
For RoHS Case Styles: 3-5  $\mu$  inch (.08-.13 microns) Gold over 120-240  $\mu$  inch (3.05-6.10 microns) Nickel plate.



P.O. Box 350166, Brooklyn, New York 11235-0003 (718) 934-4500 Fax (718) 332-4661 For detailed performance specs & shopping online see Mini-Circuits web site



The Design Engineers Search Engine Provides ACTUAL Data Instantly From MINI-CIRCUITS At: [www.minicircuits.com](http://www.minicircuits.com)

RF/IF MICROWAVE COMPONENTS