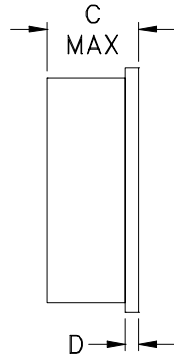
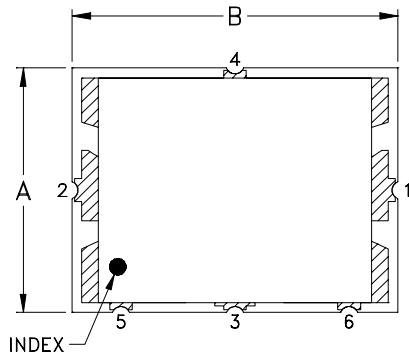
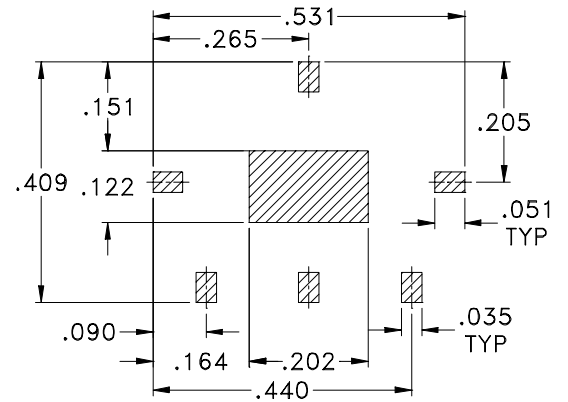


## Outline Dimensions

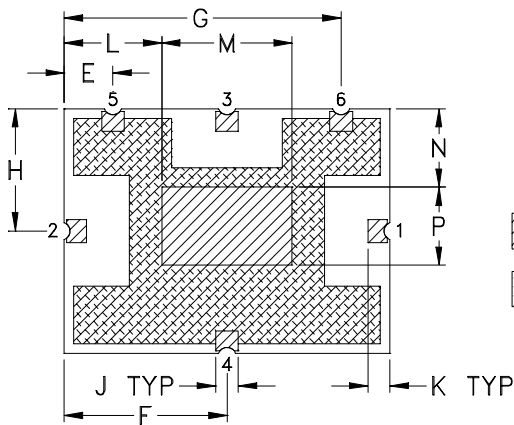
TTT1732





## PCB Land Pattern



Suggested Layout,  
Tolerance to be within  $\pm 0.002$



 DENOTES METALLIZATION  
 DENOTES SOLDER RESIST

CASE #	A	B	C	D	E	F	G	H	J	K	L	M	N
TTT1732	.38 (9.65)	.50 (12.70)	.15 (3.81)	.020 (0.51)	.075 (1.91)	.250 (6.35)	.425 (10.80)	.187 (4.75)	.035 (.89)	.034 (.86)	.150 (3.81)	.200 (5.08)	.120 (3.05)

CASE #	P	WT. GRAM
TTT1732	.120 (3.05)	.8

Dimensions are in inches (mm). Tolerances: 2 Pl.  $\pm .01$ ; 3 Pl.  $\pm .005$

### Note:

- Case material: Nickel-Silver alloy.
- Open style, Base material: Printed wiring laminate.
- Termination finish: 3-5  $\mu$  inch (.08-.13 microns) Gold over 120-240  $\mu$  inch (3.05-6.10 microns) Nickel plate. All models, (+) suffix.

 **Mini-Circuits**<sup>®</sup>

INTERNET <http://www.minicircuits.com>

P.O. Box 350166, Brooklyn, New York 11235-0003 (718) 934-4500 Fax (718) 332-4661

Distribution Centers NORTH AMERICA 800-654-7949 • 417-335-5935 • Fax 417-335-5945 • EUROPE 44-1252-832600 • Fax 44-1252-837010

Mini-Circuits ISO 9001 & ISO 14001 Certified