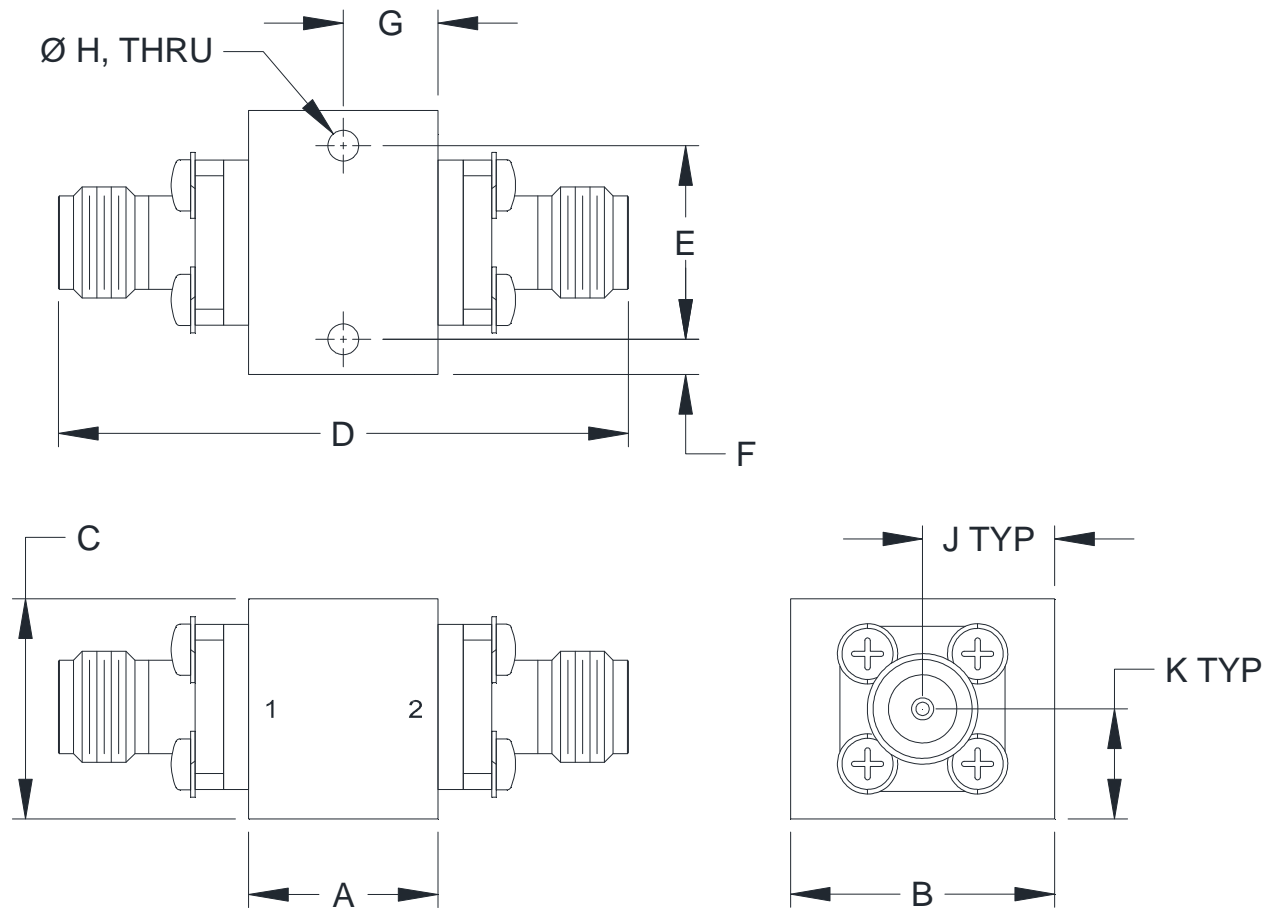


Outline Dimensions

UJ2936



CASE#	A	B	C	D	E	F
UJ2936	.43 (10.9)	.60 (15.2)	.48 (12.1)	1.30 (33.0)	.440 (11.18)	.08 (2.0)

CASE#	G	H	J	K	WT. GRAMS
UJ2936	.22 (5.5)	.070 (1.78)	.30 (7.6)	.25 (6.4)	21

Dimensions are in inches (mm). Tolerances: 2 Pl. $\pm .100$; 3 Pl. $\pm .015$

Notes:

1. Case material: Brass.
2. Case Finish: Powder coated.
3. Refer to the individual model data sheet for the type of connectors available.



P.O. Box 350166, Brooklyn, New York 11235-0003 (718) 934-4500 Fax (718) 332-4661 For detailed performance specs & shopping online see Mini-Circuits web site



The Design Engineers Search Engine Provides ACTUAL Data Instantly From MINI-CIRCUITS At: www.minicircuits.com

RF/IF MICROWAVE COMPONENTS