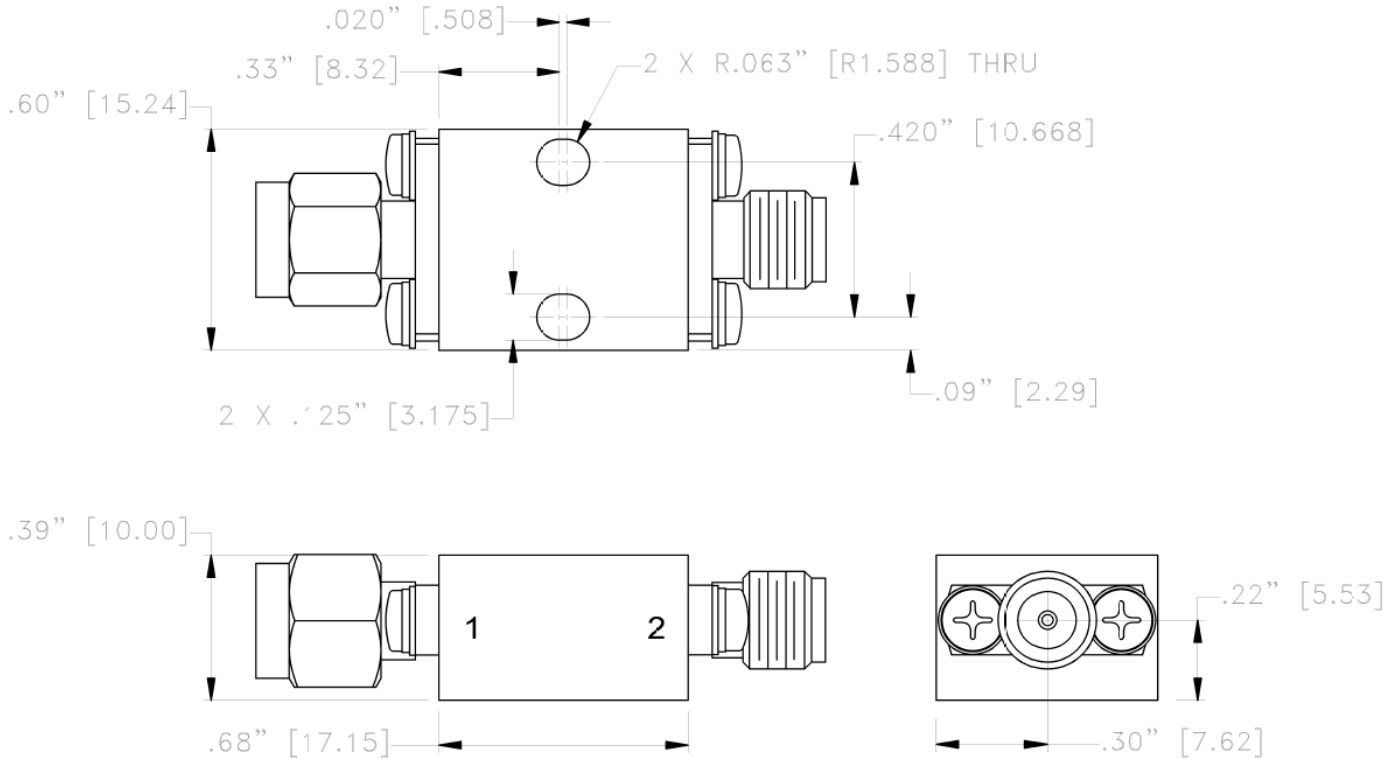


Outline Dimension

UK3042-1



Dimensions are in inches [mm]. Tolerances: 2 Pl $\pm .050$ [1.27]; 3 Pl $\pm .015$ [38]

Notes:

1. Case material: Brass alloy.
2. Case finish:
 - a. Case & Cover of the units-Gold plating.
3. Unit weight: 24g
4. Refer to the individual model data sheet for the type of connectors available.

Mini-Circuits®
ISO 9001 ISO 14001 CERTIFIED

ALL NEW
minicircuits.com

P.O. Box 350166, Brooklyn, New York 11235-0003 (718) 934-4500 Fax (718) 332-4661 For detailed performance specs & shopping online see Mini-Circuits web site



The Design Engineers Search Engine Provides ACTUAL Data Instantly From MINI-CIRCUITS At: www.minicircuits.com

RF/IF MICROWAVE COMPONENTS