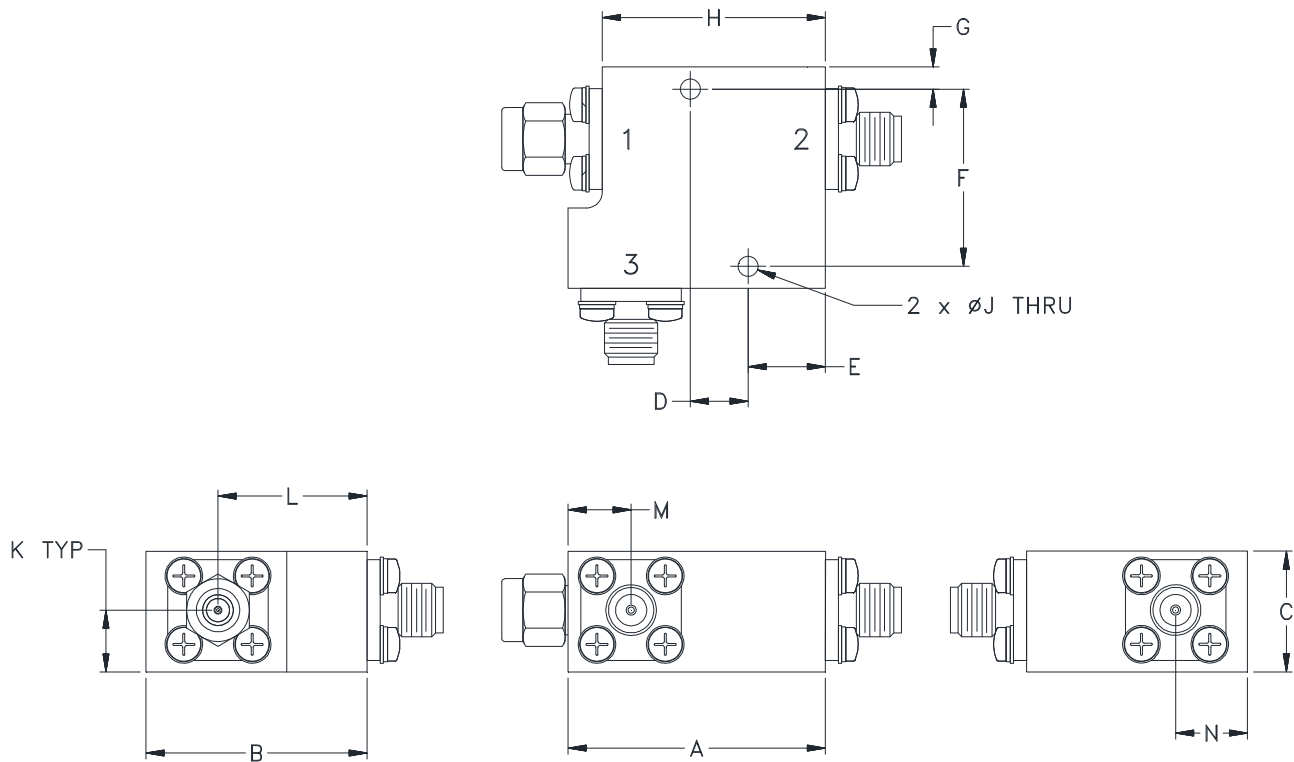


Outline Dimensions

UQ2920



CASE#	A	B	C	D	E	F	G	H
UQ2920	1.28 (32.5)	1.10 (27.9)	.60 (15.2)	.288 (7.31)	.38 (9.8)	.880 (22.35)	.11 (2.8)	1.11 (28.2)

CASE#	J	K	L	M	N	WT. GRAMS
UQ2920	.100 (2.54)	.31 (7.8)	.74 (18.8)	.31 (8.0)	.36 (9.1)	106

Dimensions are in inches (mm). Tolerances: 2 Pl. $\pm .100$; 3 Pl. $\pm .015$

Notes:

1. Case material: Brass.
2. Case Finish: Powder coated over silver plating.
3. Refer to the individual model data sheet for the type of connectors available.



P.O. Box 350166, Brooklyn, New York 11235-0003 (718) 934-4500 Fax (718) 332-4661 For detailed performance specs & shopping online see Mini-Circuits web site



The Design Engineers Search Engine Provides ACTUAL Data Instantly From MINI-CIRCUITS At: www.minicircuits.com

RF/IF MICROWAVE COMPONENTS