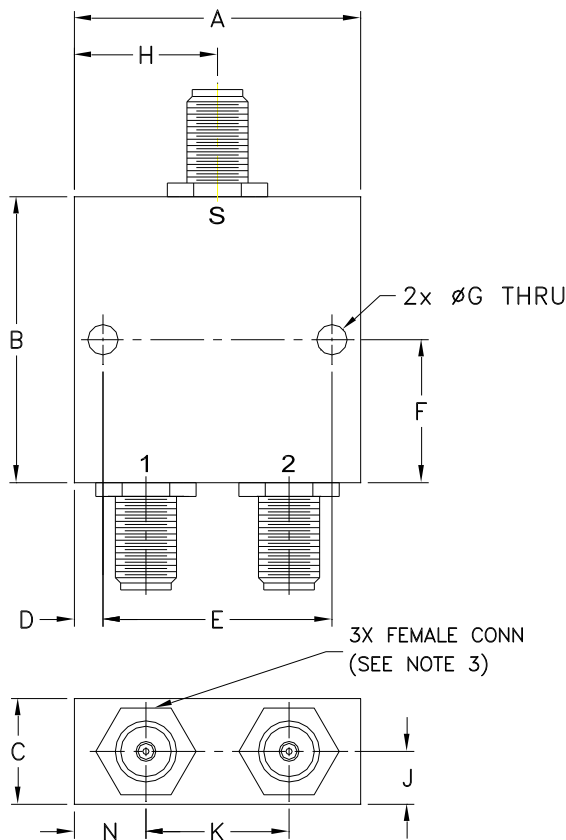


# Case Style

# UU

## Outline Dimensions

## UU2234



CASE#	A	B	C	D	E	F	G	H	J	K	L
UU2234	1.00 (25.40)	1.00 (25.40)	.370 (9.40)	.101 (2.57)	.800 (20.32)	.500 (12.70)	.106 (2.69)	.500 (12.70)	.185 (4.70)	.500 (12.70)	-- --

CASE#	M	N	P	Q	WT. GRAMS
UU2234	-- --	.25 (6.35)	-- --	-- --	55

Dimensions are in inches (mm). Tolerances: 2 Pl.  $\pm .03$ ; 3 Pl.  $\pm .015$

### Notes:

1. Case material: Aluminum alloy.
2. Case finish:  
For RoHS Case Styles: Clear chemical conversion coating, non-chrome or trivalent chrome based.
3. Refer to the individual model data sheet for the type of connectors available.

**Mini-Circuits®**  
ISO 9001 ISO 14001 CERTIFIED

ALL NEW  
minicircuits.com

P.O. Box 350166, Brooklyn, New York 11235-0003 (718) 934-4500 Fax (718) 332-4661 For detailed performance specs & shopping online see Mini-Circuits web site



The Design Engineers Search Engine Provides ACTUAL Data Instantly From MINI-CIRCUITS At: [www.minicircuits.com](http://www.minicircuits.com)

RF/IF MICROWAVE COMPONENTS