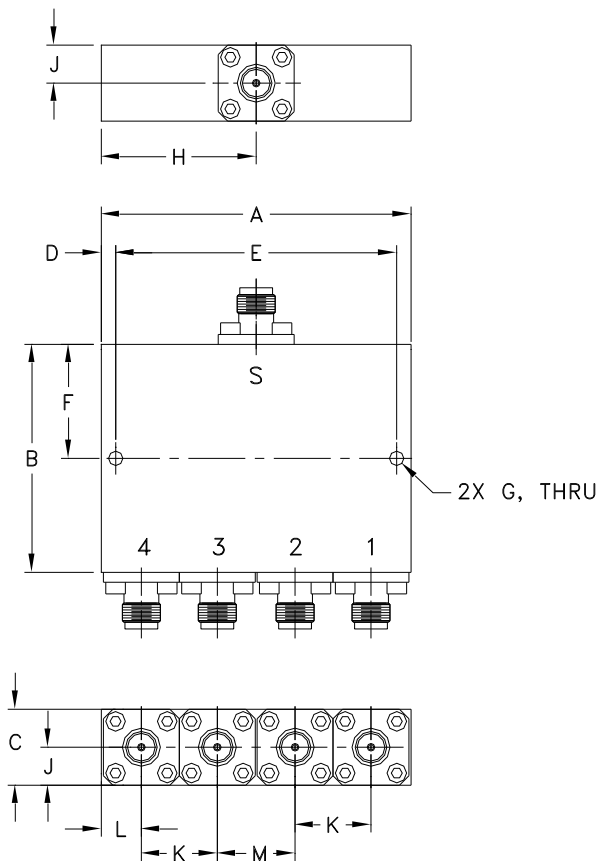


Outline Dimensions

UU2402



CASE#	A	B	C	D	E	F	G	H	J	K	L	M
UU2402	2.04 (51.70)	1.50 (38.10)	.50 (12.70)	.10 (2.54)	1.850 (47.10)	.75 (19.10)	.095 (2.41)	1.02 (25.85)	.25 (6.35)	.500 (12.70)	.26 (6.60)	.512 (13.00)

CASE#	N	WT. GRAMS
UU2402	-- --	110

Dimensions are in inches (mm). Tolerances: 2 Pl. $\pm .03$; 3 Pl. $\pm .015$

Notes:

1. Case material: Aluminum alloy.
2. Case finish:
For RoHS Case Styles: Blue Pantone 286U coating, non-chrome or trivalent chrome based.
3. Refer to the individual model data sheet for the type of connectors available.



P.O. Box 350166, Brooklyn, New York 11235-0003 (718) 934-4500 Fax (718) 332-4661 For detailed performance specs & shopping online see Mini-Circuits web site



The Design Engineers Search Engine Provides ACTUAL Data Instantly From MINI-CIRCUITS At: www.minicircuits.com

RF/IF MICROWAVE COMPONENTS