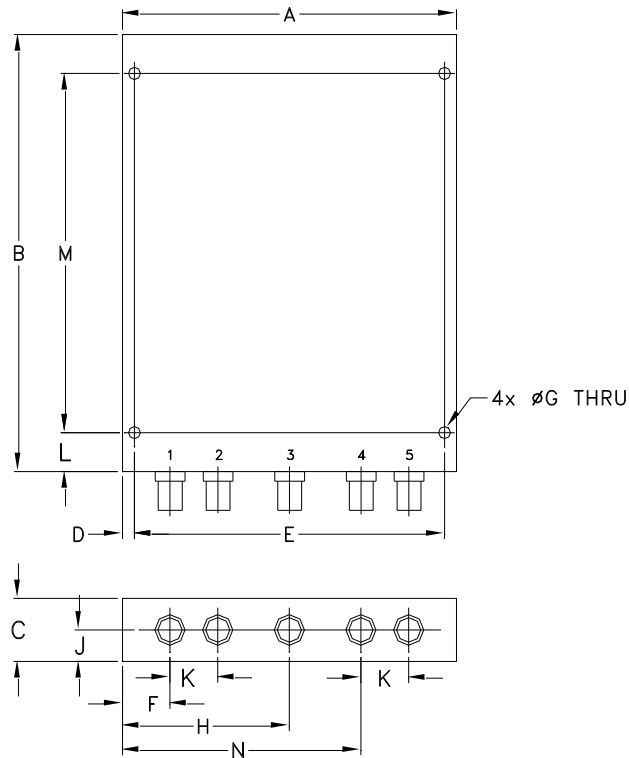


Outline Dimensions

UU846-4



| CASE # | A | B | C | D | E | F | G | H | J | K | L | M |
|---------|-----------------|------------------|----------------|----------------|------------------|----------------|----------------|-----------------|---------------|-----------------|-----------------|------------------|
| UU846-4 | 3.50 (88.90) | 4.50 (114.30) | .65 (16.51) | .125 (3.18) | 3.250 (82.55) | .50 (12.70) | .125 (3.18) | 1.75 (44.45) | .33 (8.38) | .500 (12.70) | .400 (10.16) | 3.700 (93.98) |

| CASE # | N | WT. GRAMS |
|---------|-----------------|-----------|
| UU846-4 | 2.50 (63.50) | 288 |

Dimensions are in inches (mm). Tolerances: 2 Pl. $\pm .03$; 3 Pl. $\pm .015$

Notes:

- Case material: Aluminum alloy.
- Case finish:
For RoHS Case Styles: Clear chemical conversion coating, non-chrome or trivalent chrome based.
- Refer to the individual model data sheet for the type of connectors available.



P.O. Box 350166, Brooklyn, New York 11235-0003 (718) 934-4500 Fax (718) 332-4661 For detailed performance specs & shopping online see Mini-Circuits web site



The Design Engineers Search Engine Provides ACTUAL Data Instantly From MINI-CIRCUITS At: www.minicircuits.com

RF/IF MICROWAVE COMPONENTS