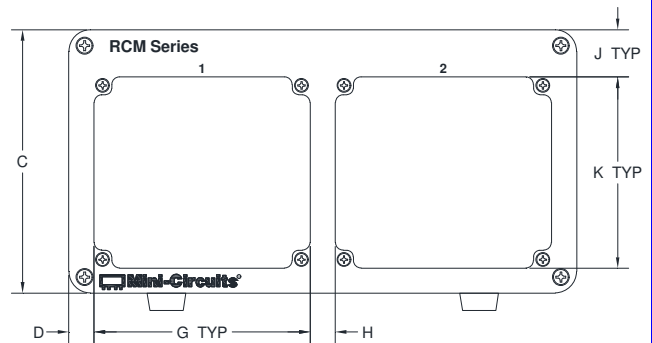
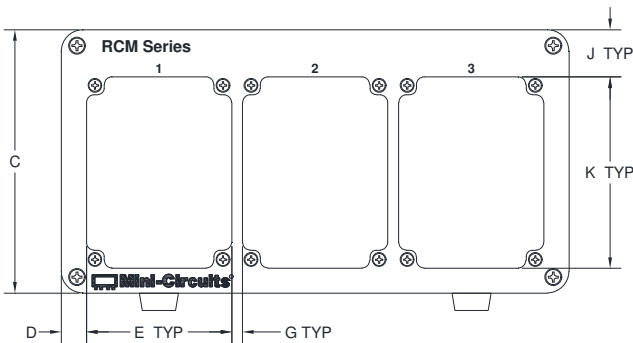
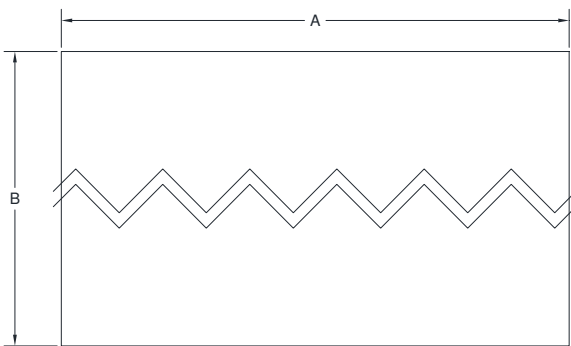
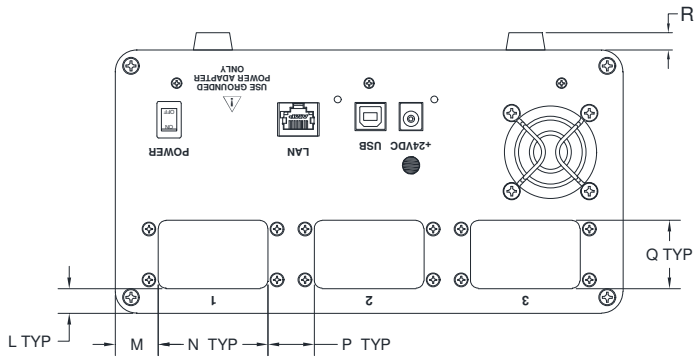


Outline Dimensions

UV2068



FRONT PANEL FOR RCM WITH RUDAT, SPDT, SP4T, SP6T & MTS SWITCHES

FRONT PANEL FOR RCM WITH SP8T SWITCHES

CASE #	A	B	C	D	E	F	G	H	J	K	L	M
UV2068	8.25	8.25	4.25	.41	2.36	.18	3.51	.41	.76	3.09	.40	.70
	(209.55)	(209.55)	(107.95)	(10.41)	(59.94)	(4.57)	(89.15)	(10.41)	(19.30)	(78.49)	(10.16)	(17.78)

CASE #	N	P	Q	R	WT, GRAMS
UV2068	1.78	.76	1.10	.28	2350
	(45.21)	(19.30)	(27.94)	(7.11)	

Dimensions are in inches (mm). Tolerances: 1Pl. ±.1; 2 Pl. ±.03; 3 Pl. ±.015

Notes:

1. Case material: Aluminum alloy.
2. Finish: Clear chemical conversion coating



INTERNET <http://www.minicircuits.com>

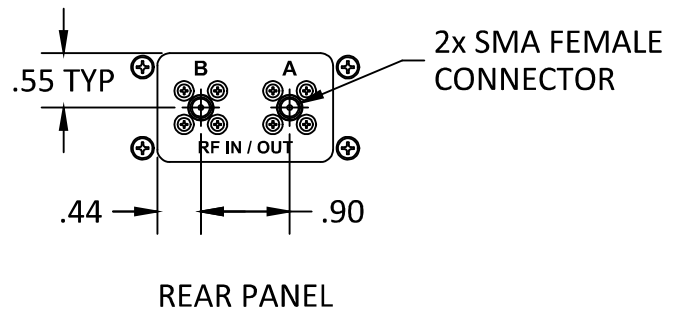
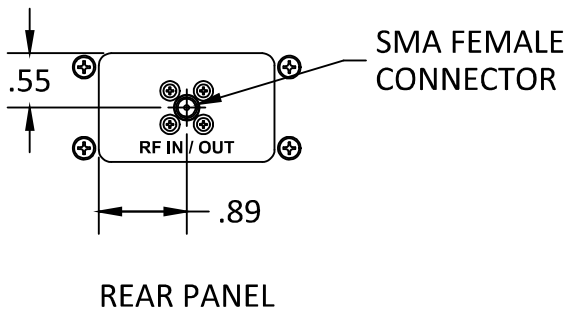
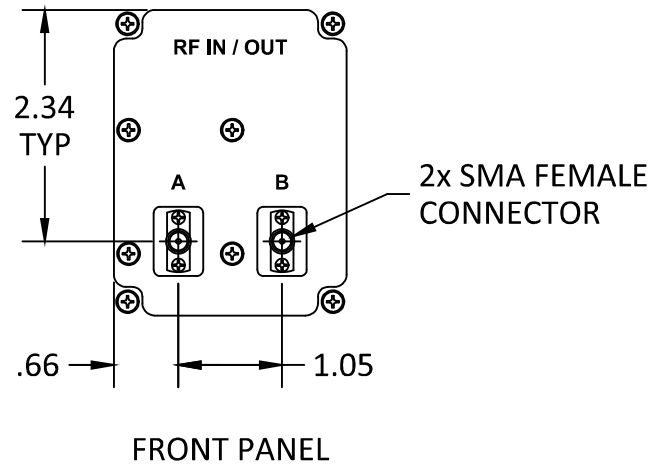
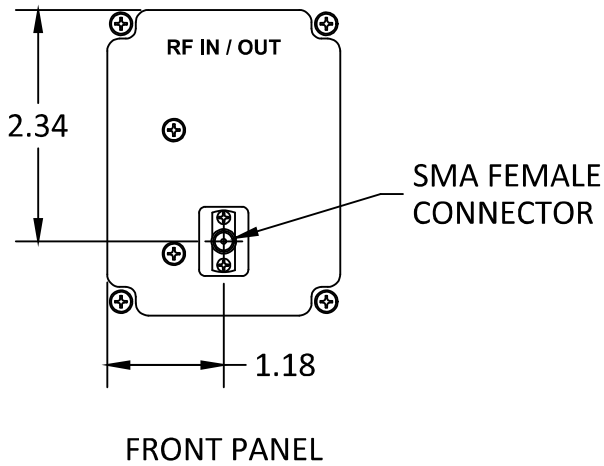
P.O. Box 350166, Brooklyn, New York 11235-0003 (718) 934-4500 Fax (718) 332-4661

Distribution Centers NORTH AMERICA 800-654-7949 • 417-335-5935 • Fax 417-335-5945 • EUROPE 44-1252-832600 • Fax 44-1252-837010

Mini-Circuits ISO 9001 & ISO 14001 Certified

RUDAT Programmable Attenuator Options:

UV2068

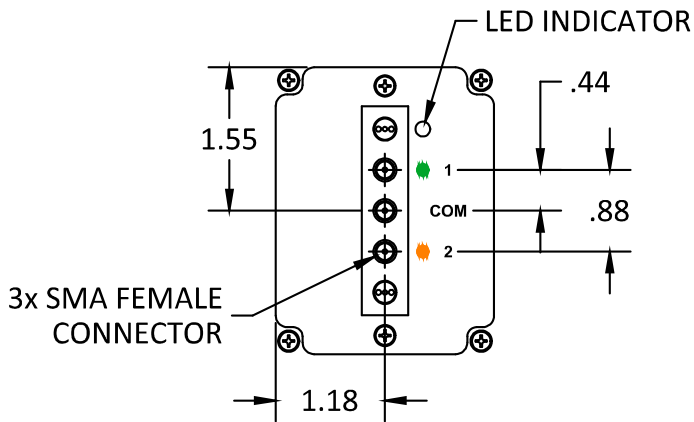


SINGLE RUDAT

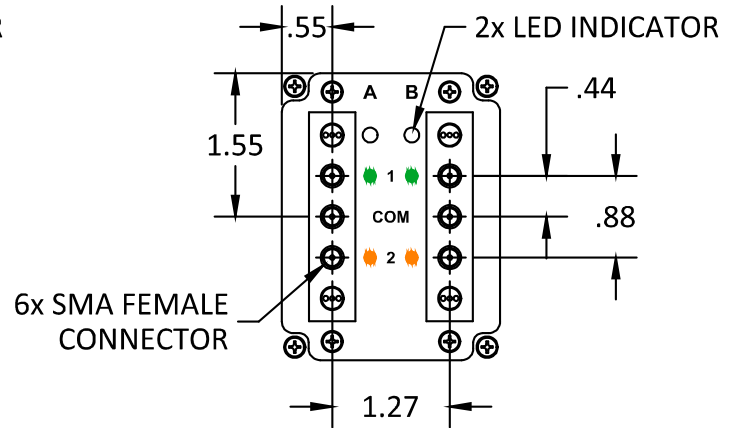
DUAL RUDAT

SPDT Switch Options:

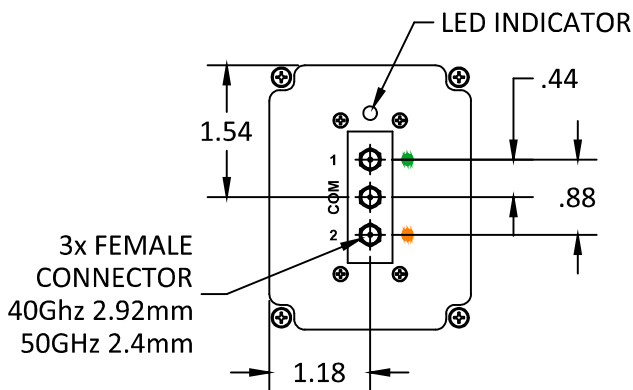
UV2068



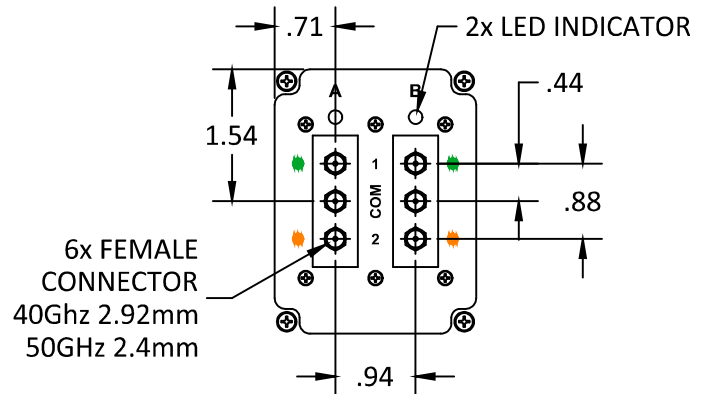
SPDTA 18GHz
SPDTA 26GHz



DUAL SPDTA 18GHz
DUAL SPDTA 26GHz



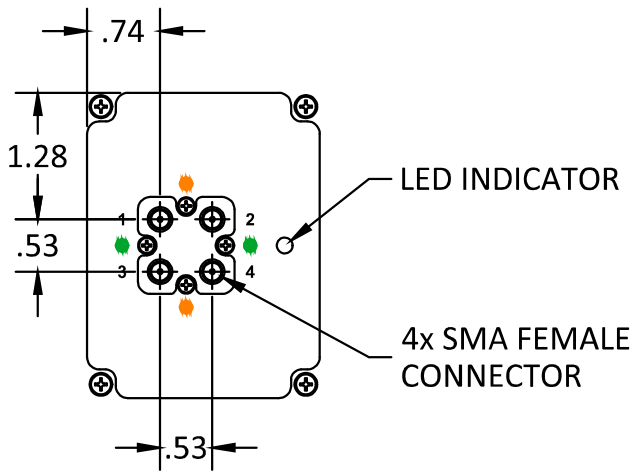
SPDT 40GHz
SPDT 50GHz



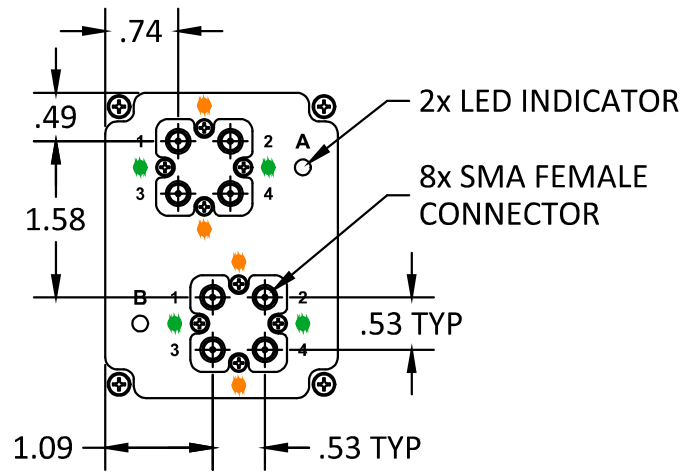
DUAL SPDT 40GHz
DUAL SPDT 50GHz

MTS (Transfer) Switch Options:

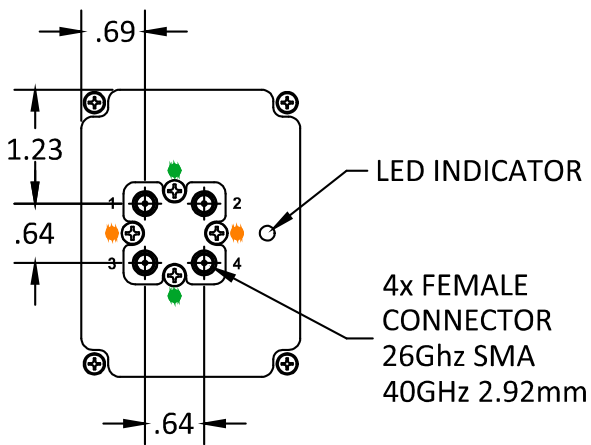
UV2068



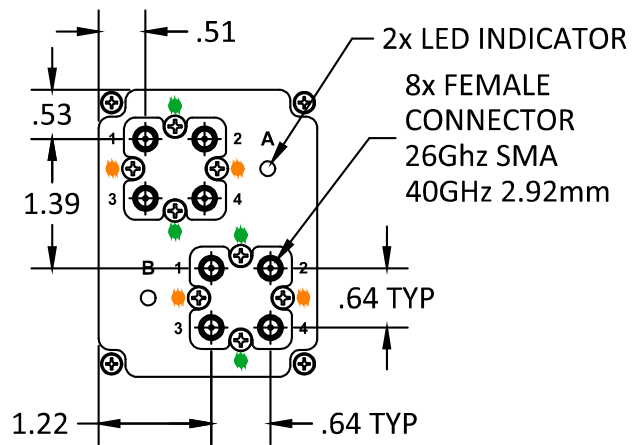
MTS 18GHz



DUAL MTS 18GHz



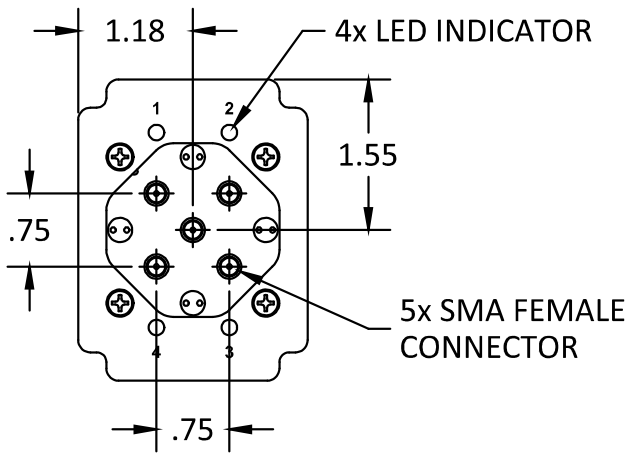
MTS 26GHz



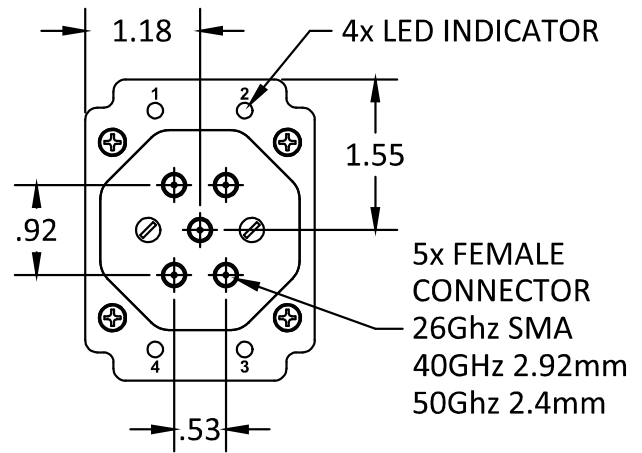
DUAL MTS 26GHz

SP4T and SP6T Switch Options:

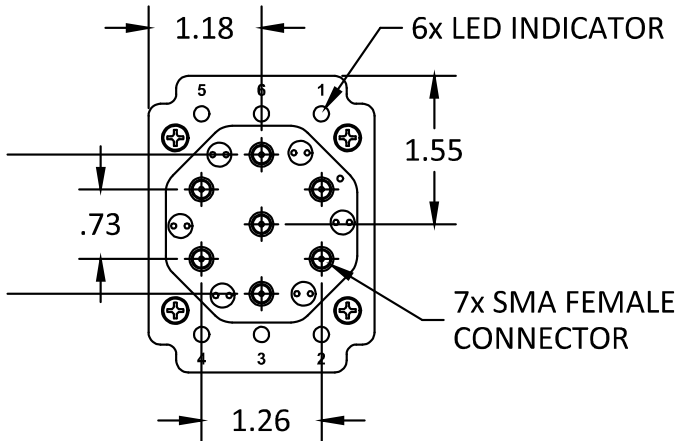
UV2068



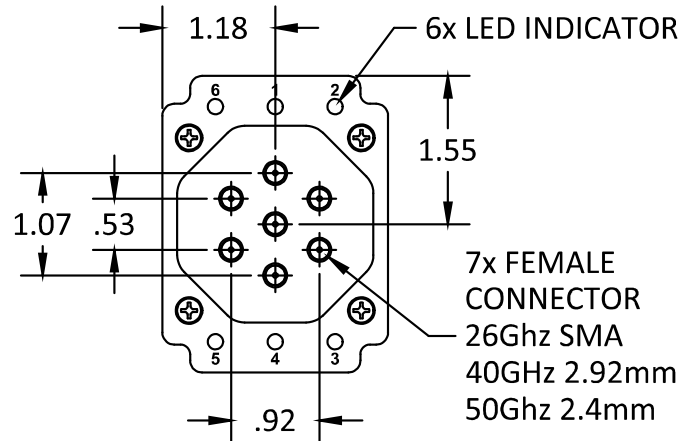
SP4TA 18GHz



SP4TA 26GHz
SP4TA 40GHz
SP4TA 50GHz



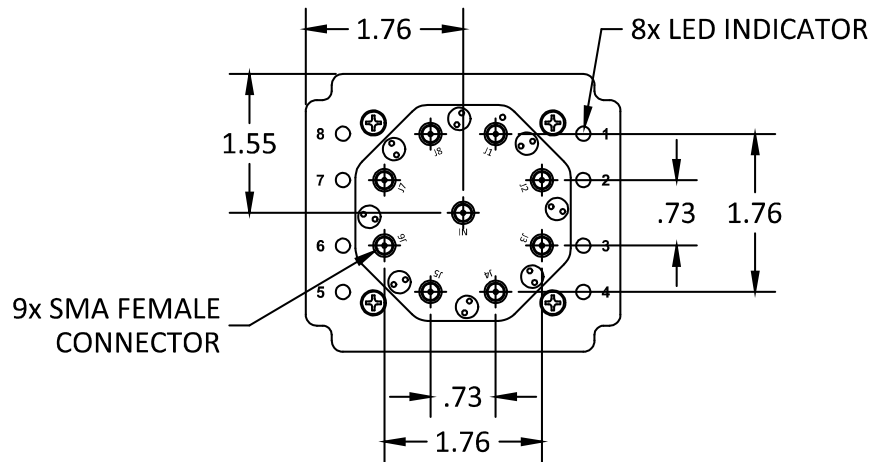
SP6TA 12GHz
SP6TA 18GHz



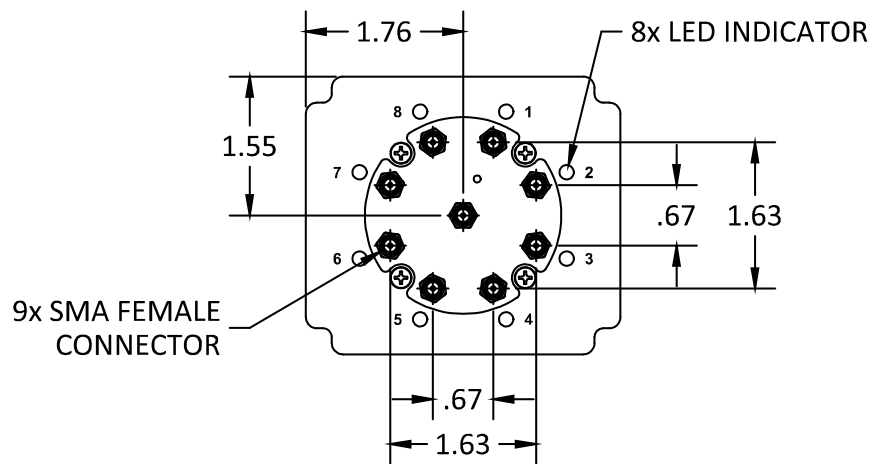
SP6TA 26GHz
SP6TA 40GHz
SP6TA 50GHz

SP8T Switch Options:

UV2068



SP8TA 12GHz



SP8TA 18GHz

SP8TA 26GHz



INTERNET <http://www.minicircuits.com>

P.O. Box 350166, Brooklyn, New York 11235-0003 (718) 934-4500 Fax (718) 332-4661

Distribution Centers NORTH AMERICA 800-654-7949 • 417-335-5935 • Fax 417-335-5945 • EUROPE 44-1252-832600 • Fax 44-1252-837010

Mini-Circuits ISO 9001 & ISO 14001 Certified