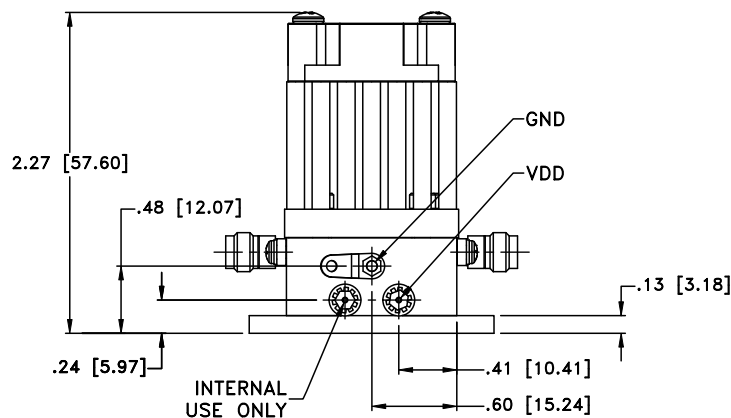
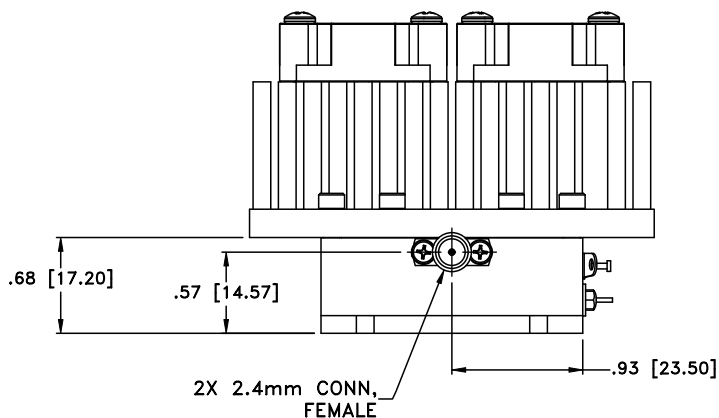
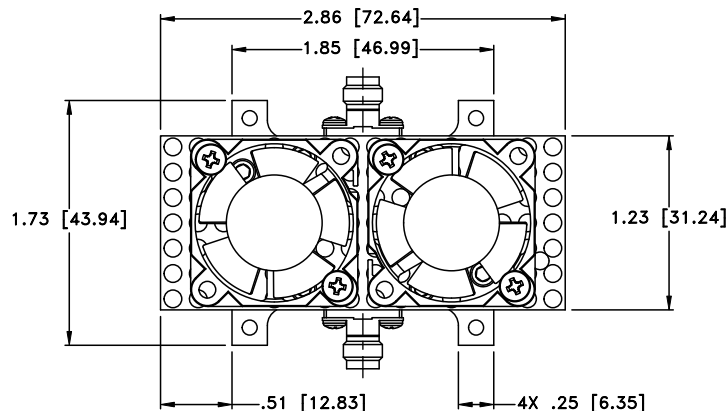


Case Style

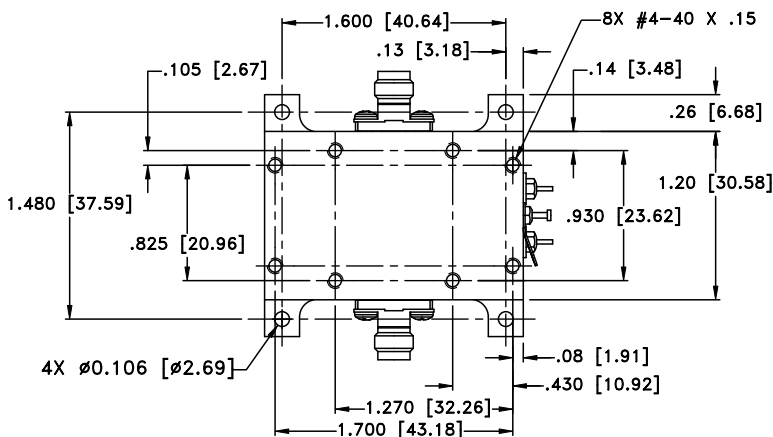
VN

Qwvnpkg" Fk o gpukqpu

XP5293/6



OQWPVKP I'KPHQTOCVKQP'QH'OQFGN'YIVJQWV'JGCVUKPM



Y V0 Y V0I TCOU'382'i tco u=""Y KJ QWV'J GCVUKPMI TCOU'82'i tco u"

Flo gpukqpu'ctg'lp'pej gu"o o #0Vqrgtcegu<4'Rr0025="5'Rr00237"

Pqvgu<

30 Ecug'o cvgtkn<Cno kpwo 0

40 Ecug'hpkuj <I qif 'r rvpki =

50 J gcvukpmihpkuj <""Drcen'cpqf k g0

60 Tghgt'vq'v'j g'lpf kxf wcnb qf gnf'cvc'uj gg'vht'v'j g'v'r g'qh'eqppgevtu'cxckrdrg0

70 Uj cr g'qh'eqppgevt'hrpi g'o c{ 'xct{0

Mini-Circuits®
ISO 9001 ISO 14001 CERTIFIED

ALL NEW
minicircuits.com

P.O. Box 350166, Brooklyn, New York 11235-0003 (718) 934-4500 Fax (718) 332-4661 For detailed performance specs & shopping online see Mini-Circuits web site

The Design Engineers Search Engine Provides ACTUAL Data Instantly From MINI-CIRCUITS At: www.minicircuits.com



RF/IF MICROWAVE COMPONENTS