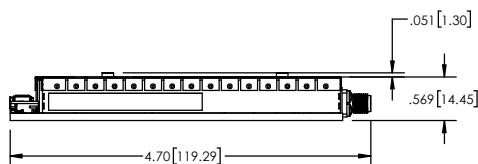
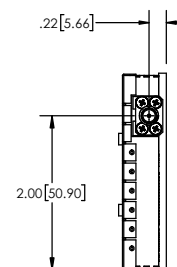
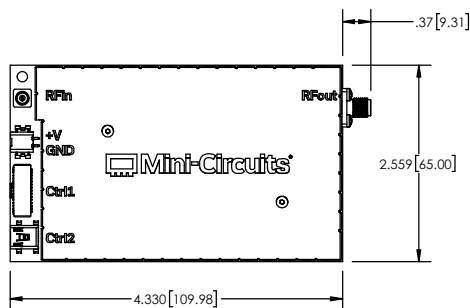
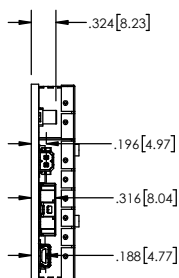
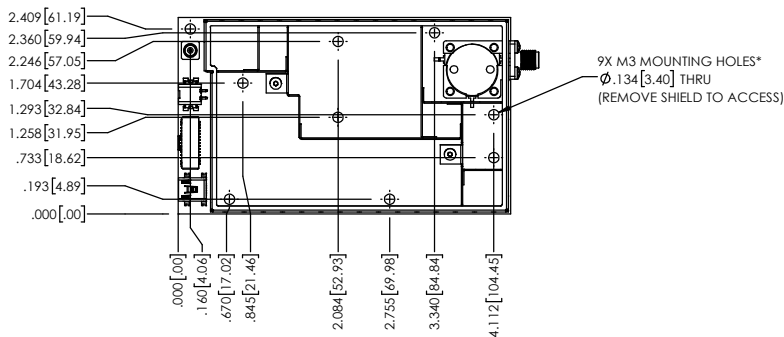
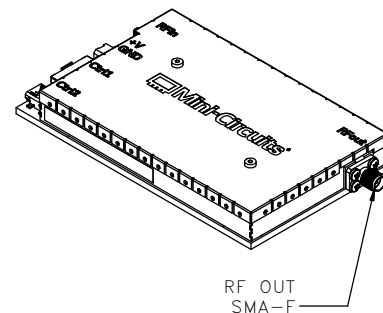
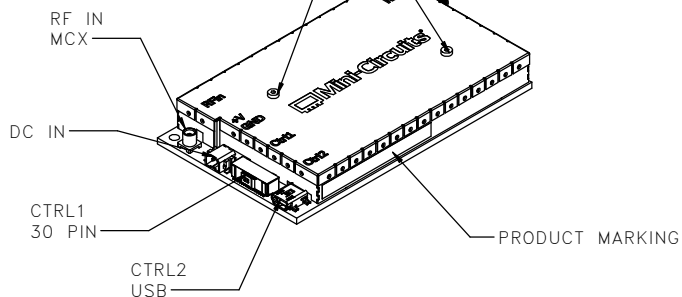


MOUNTING HOLE LOCATIONS
(SHIELD COVER REQUIRES TEMPORARY REMOVAL TO INSTALL MOUNTING SCREWS)



SHIELD COVER SCREWS
2X M2X0.4X5MM
USE 1.3MM HEX WRENCH



Weight: 140 grams

Dimensions are in inches [mm]. Tolerances: 2 Pl. $\pm .01$ [0.254]; 3 Pl. $\pm .005$ [0.127] Inches[mm]

Notes:

1. Case Material/Finish: Nickel Silver Shield and Cover. ENIG finish on bottom of PCB.
2. Shield cover requires temporary removal to install mounting screws.
3. M3 SHCS(DIN 912, ISO 21269) Screws recommended for mounting.
4. 1.5nM (13lbf in) Max. Torque recommended for mounting screws.



P.O. Box 350166, Brooklyn, New York 11235-0003 (718) 934-4500 Fax (718) 332-4661 For detailed performance specs & shopping online see Mini-Circuits web site



The Design Engineers Search Engine Provides ACTUAL Data Instantly From MINI-CIRCUITS At: www.minicircuits.com

RF/IF MICROWAVE COMPONENTS