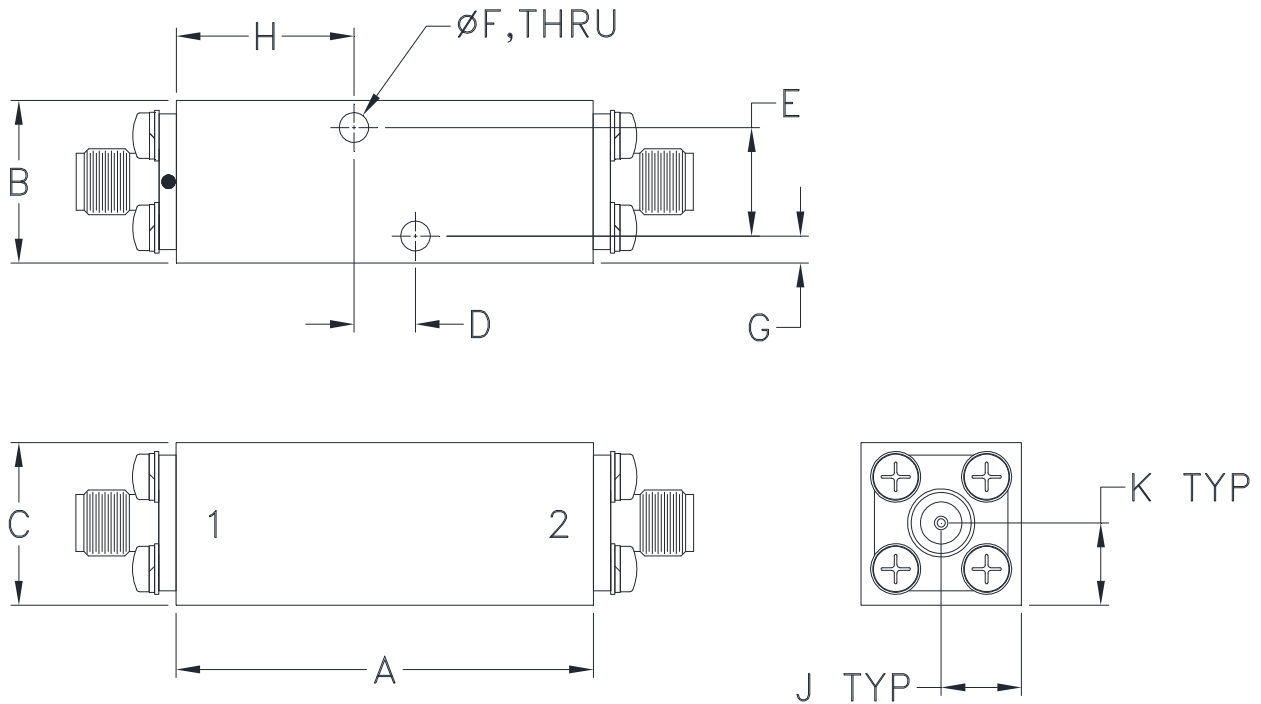


Outline Dimensions

WD3296



CASE#	A	B	C	D	E	F
WD3296	1.56 (39.6)	.60 (15.2)	.60 (15.2)	.230 (5.84)	.400 (10.16)	.110 (2.79)

CASE#	G	H	J	K	WT.GRAMS
WD3296	.10 (2.5)	.66 (16.9)	.30 (7.6)	.30 (7.7)	72

Dimensions are in inches (mm). Tolerances: 2 Pl. $\pm .100$; 3 Pl. $\pm .015$

Notes:

1. Case material: Brass.
2. Case Finish:
 - a. Case & Cover of the units – Polyurethane spray painted over silver plating.
3. Refer to the individual model data sheet for the type of connectors available.

Mini-Circuits®
ISO 9001 ISO 14001 CERTIFIED

ALL NEW
minicircuits.com

P.O. Box 350166, Brooklyn, New York 11235-0003 (718) 934-4500 Fax (718) 332-4661 For detailed performance specs & shopping online see Mini-Circuits web site



The Design Engineers Search Engine Provides ACTUAL Data Instantly From MINI-CIRCUITS At: www.minicircuits.com

RF/IF MICROWAVE COMPONENTS