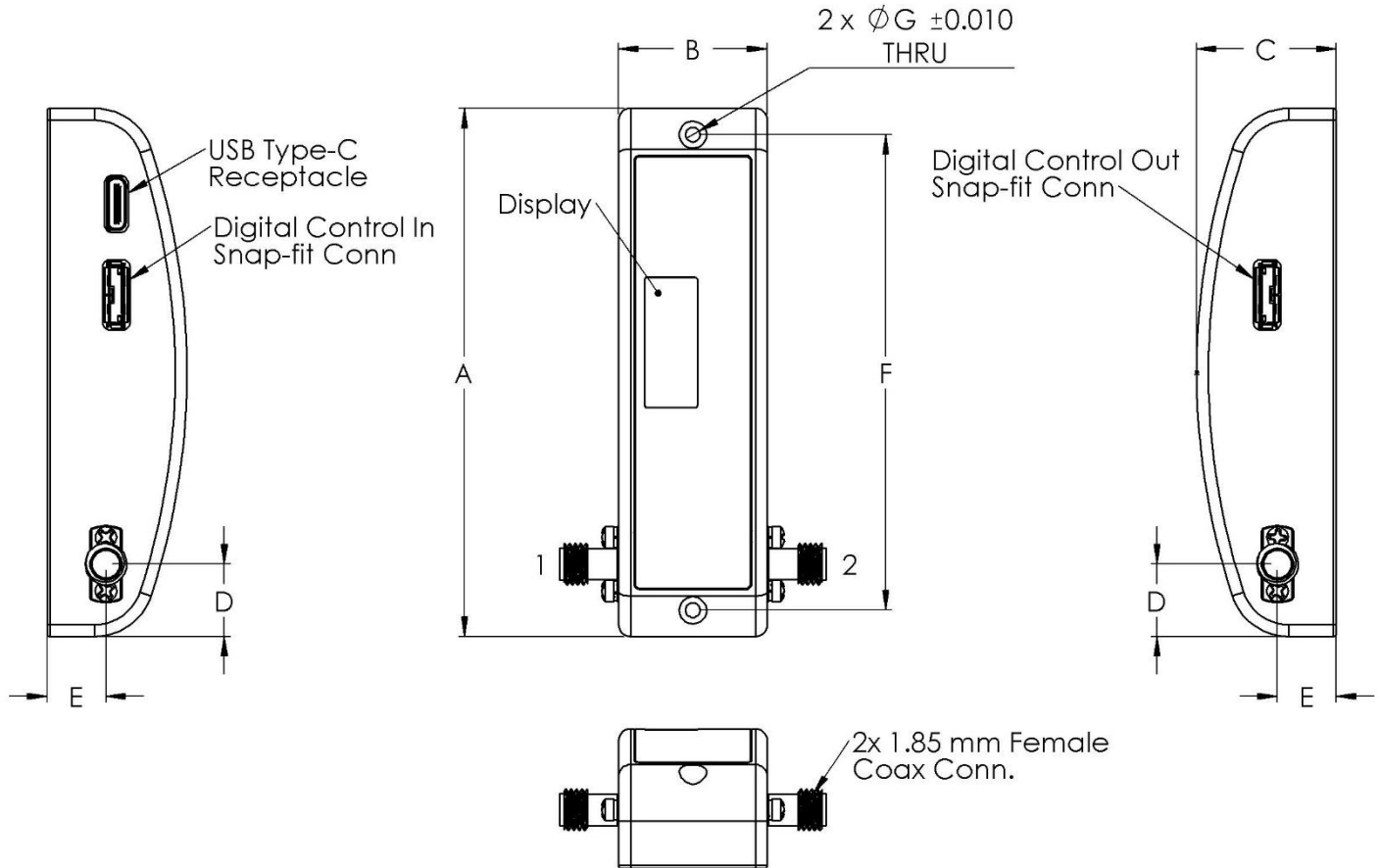


Case Style

WP

Outline Dimensions

WP3287



CASE#	A	B	C	D	E	F	G	WT. GRAMS
WP3287	3.500 (88.9)	.984 (25.0)	.925 (23.5)	.480 (12.2)	.389 (9.9)	3.150 (80.0)	.096 (2.44)	94

Dimensions are in inches (mm). Tolerances: 2PL. +/- .03; 3PL. +/- .015

Notes:

1. Case material: Nickel Plated Aluminum.



www.minicircuits.com P.O. Box 350166, Brooklyn, NY 11235-0003 (718) 934-4500 sales@minicircuits.com