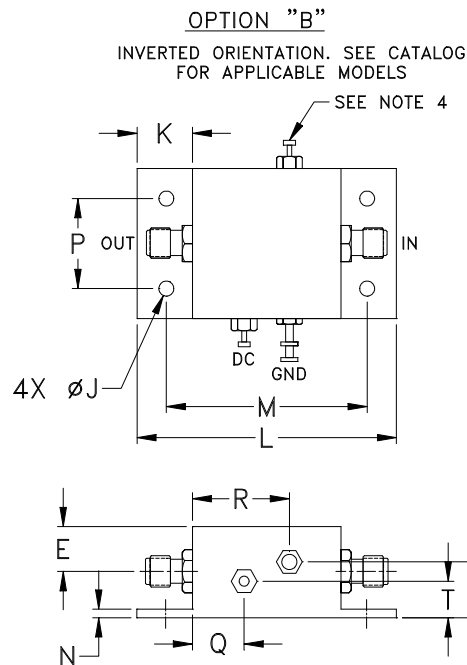
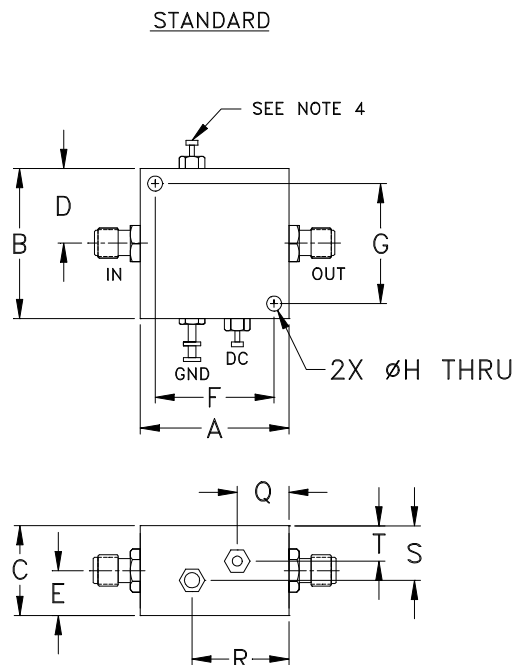


# Case Style

# Y

## Y39

### Outline Dimensions



CASE#	A	B	C	D	E	F	G	H	J	K	L	M	N
Y39	1.25 (31.75)	1.25 (31.75)	.75 (19.05)	.63 (16.0)	.36 (9.15)	1.000 (25.4)	1.000 (25.4)	.125 (3.2)	.125 (3.2)	.46 (11.7)	2.18 (55.4)	1.688 (42.9)	.06 (1.5)

CASE#	P	Q	R	S	T	WT. GRAMS
Y39	.750 (19.0)	.50 (12.7)	.80 (20.3)	.45 (11.4)	.29 (7.4)	38

Dimensions are in inches (mm). Tolerances: 2 Pl.  $\pm .03$ ; 3 Pl.  $\pm .015$

#### Notes:

1. Case material: Aluminum alloy.
2. Case finish:  
For RoHS Case Styles: Clear chemical conversion coating, non-chrome or trivalent chrome based.
3. Mounting bracket available on request. Add suffix B to part number
4. Gain terminal may exist on some models, refer catalog data sheet for details..

**Mini-Circuits®**

INTERNET <http://www.minicircuits.com>

P.O. Box 350166, Brooklyn, New York 11235-0003 (718) 934-4500 Fax (718) 332-4661

Distribution Centers NORTH AMERICA 800-654-7949 • 417-335-5935 • Fax 417-335-5945 • EUROPE 44-1252-832600 • Fax 44-1252-837010

Mini-Circuits ISO 9001 & ISO 14001 Certified