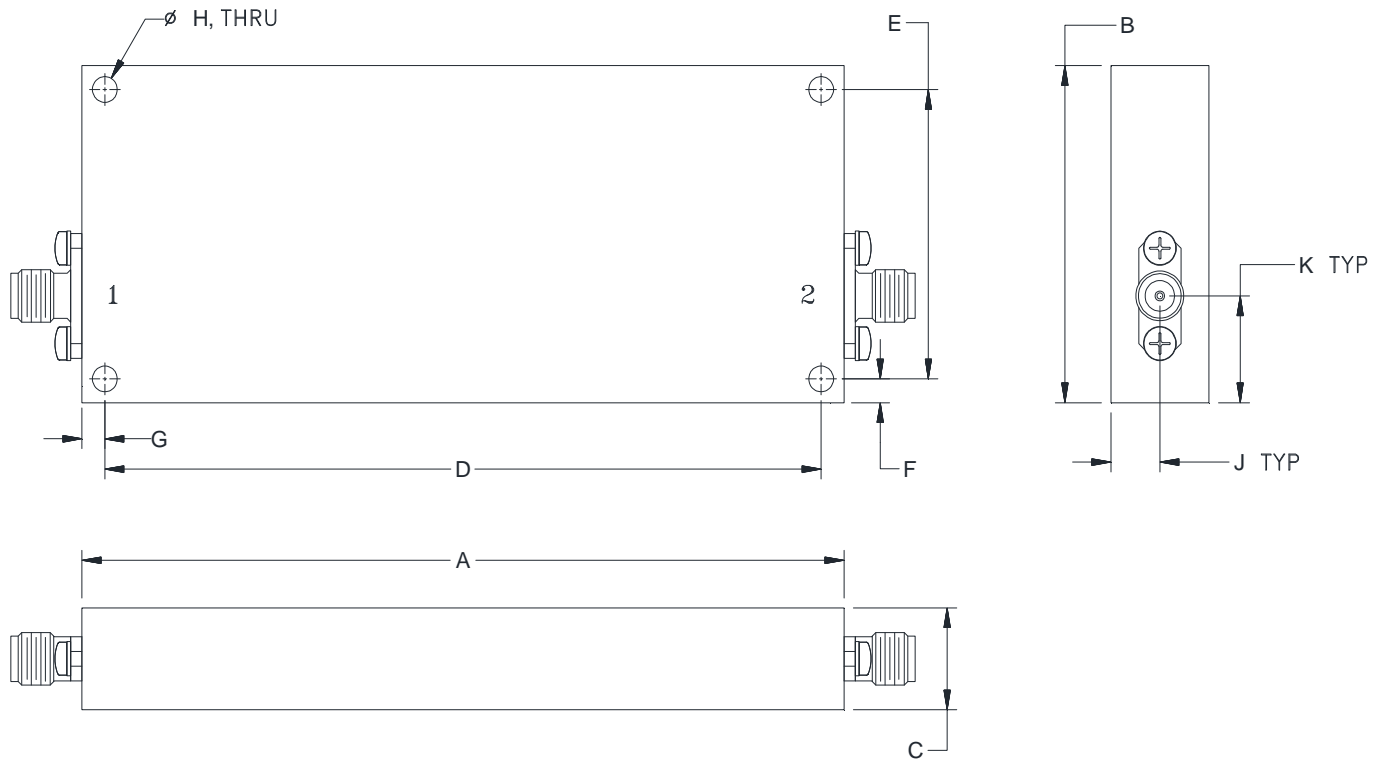


## Outline Dimensions

YA3390



CASE#	A	B	C	D	E	F
YA3390	4.00 (101.6)	1.70 (43.2)	.51 (13.1)	3.760 (95.50)	1.460 (37.08)	.12 (3.0)

CASE#	G	H	J	K	WT. GRAMS
YA3390	.12 (3.0)	.130 (3.30)	.26 (6.5)	.55 (14.0)	220

Dimensions are in inches (mm). Tolerances: 2 Pl.  $\pm .100$ ; 3 Pl.  $\pm .015$

### Notes:

1. Case material: Brass.
2. Case Finish: Powder coated over silver plating.
3. Refer to the individual model data sheet for the type of connectors available.



P.O. Box 350166, Brooklyn, New York 11235-0003 (718) 934-4500 Fax (718) 332-4661 For detailed performance specs & shopping online see Mini-Circuits web site



The Design Engineers Search Engine Provides ACTUAL Data Instantly From MINI-CIRCUITS At: [www.minicircuits.com](http://www.minicircuits.com)

RF/IF MICROWAVE COMPONENTS