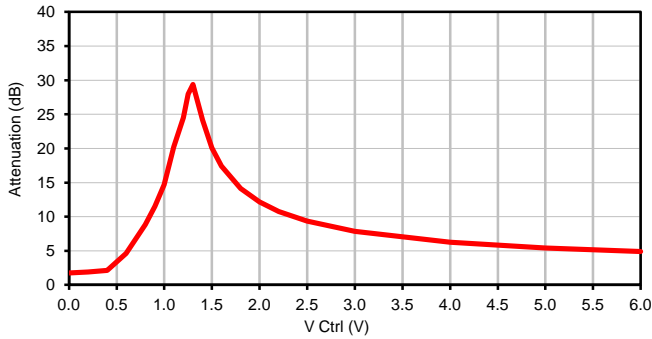
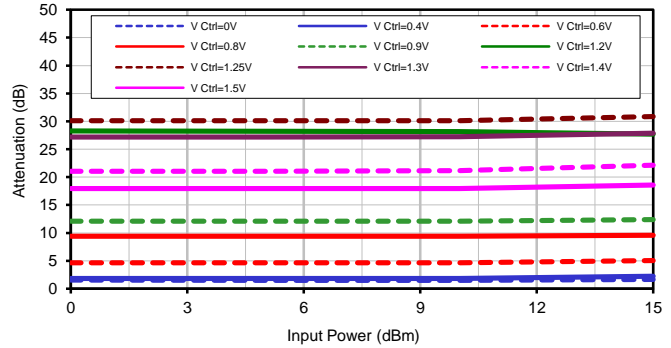


Typical Performance Curves

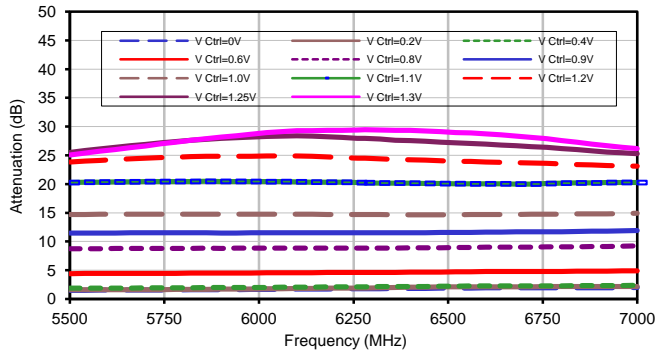
Attenuation Vs. V Ctrl @ 6260 MHz



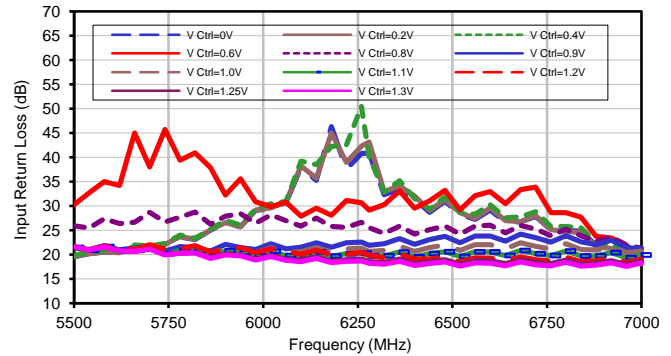
Attenuation Vs. Input Power over V Ctrl @ 6000 MHz



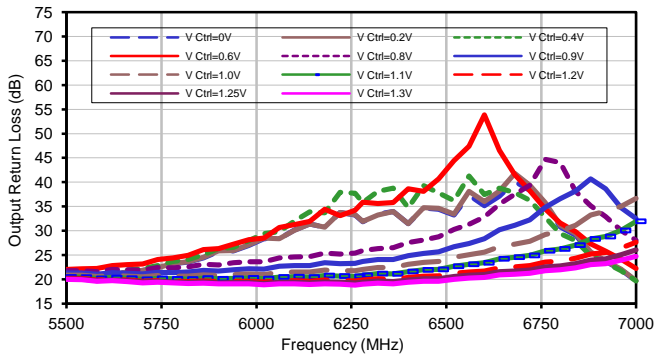
Attenuation Vs. Freq over V Ctrl



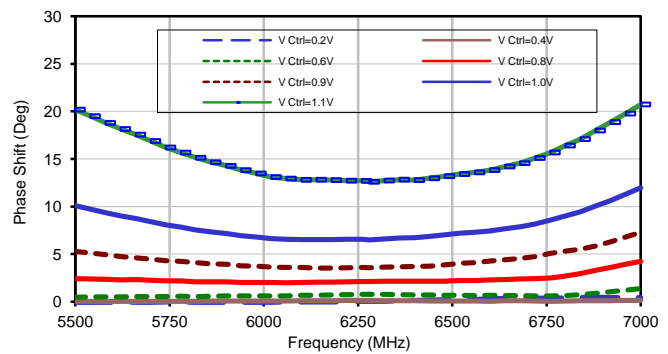
Input Return Loss Vs. Freq over V Ctrl



Output Return Loss Vs. Freq over V Ctrl



Phase Shift Vs. Freq over V Ctrl



IP3 Vs. V Ctrl Vs. Frequency

