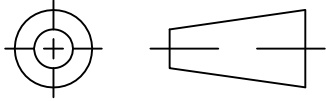


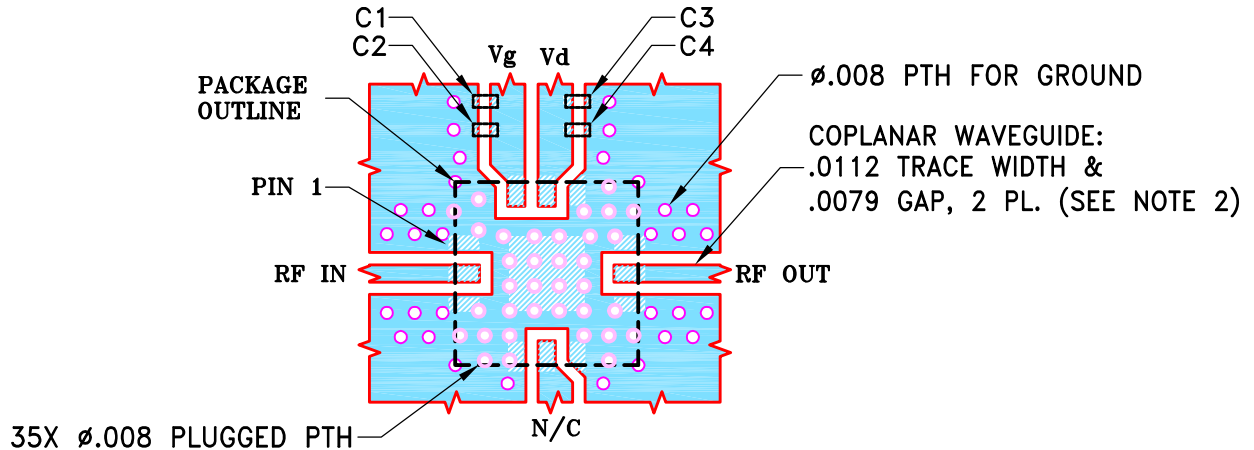
THIRD ANGLE PROJECTION



REVISIONS

REV	ECN No.	DESCRIPTION	DATE	DR	AUTH
OR	M171265	NEW RELEASE	12/05/18	ITG	JG

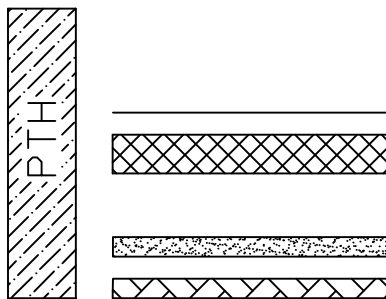
SUGGESTED MOUNTING CONFIGURATION FOR
DQ1225 CASE STYLE, "12AM04" PIN CODE



TOP VIEW

COMPONENT	SIZE
C1...C4	0402

2 LAYER STACKUP DETAIL



IMMERSION GOLD (0.025 μ m–0.075 μ m)
 ELECTROLESS NICKEL (3 μ m–6 μ m)
 L1 COPPER: 1.0OZ (3)
 BASE: R04350B 6.6mil (0.1512mm–0.1848mm)
 L2 COPPER: 1.0OZ (31.5 μ m–38.5 μ m)
 .025 μ m–0.075 μ m)

NOTES:

1. PCB IS 2 LAYERS PCB, SEE STACK-UP DIAGRAM.
2. TRACE WIDTH & GAP PARAMETERS ARE SHOWN FOR ROGERS R04350B WITH DIELECTRIC THICKNESS .0066" \pm .0007"; COPPER: 1 OZ. FOR OTHER MATERIALS TRACE WIDTH AND GAP MAY NEED TO BE MODIFIED.
3. CHIP COMPONENT FOOTPRINTS SHOWN FOR REFERENCE. FOR COMPONENT VALUES REFER TO TB-TSS-44+.
4. COPPER LAYER L2 OF THE PCB IS CONTINUOUS GROUND PLANE.



DENOTES PCB COPPER LAYOUT WITH SMOBC (SOLDER MASK OVER BARE COPPER)



DENOTES COPPER LAND PATTERN FREE OF SOLDER MASK

UNLESS OTHERWISE SPECIFIED	INITIALS	DATE
DIMENSIONS ARE IN INCHES	DRAWN ITG	11/30/18
TOLERANCES ON:	CHECKED GF	12/05/18
2 PL DECIMALS \pm	APPROVED JG	12/05/18
3 PL DECIMALS \pm .005		
ANGLES \pm		
FRACTIONS \pm		



Mini-Circuits®

13 Neptune Avenue
Brooklyn NY 11235

PL, 12AM04, DQ1225, TB-TSS-44+

SIZE	CODE IDENT	DRAWING NO:	REV:
A	15542	98-PL-616	OR
FILE:	98PL616	SCALE: 8:1	SHEET: 1 OF 1

THIS DOCUMENT AND ITS CONTENTS ARE THE PROPERTY OF MINI-CIRCUITS. EXCEPT FOR USE EXPRESSLY GRANTED, IN WRITING, TO ITS VENDORS, VENDEE AND THE UNITED STATES GOVERNMENT, MINI-CIRCUITS RESERVES ALL PROPRIETARY DESIGN, USE, MANUFACTURING AND REPRODUCTION RIGHTS THERETO. THESE CONTENTS SHALL NOT BE USED, DUPLICATED OR DISCLOSED TO ANY OUTSIDE PARTY, IN WHOLE OR IN PART, WITHOUT WRITTEN PERMISSION OF MINI-CIRCUITS.