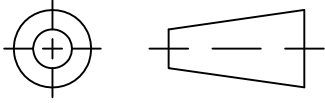


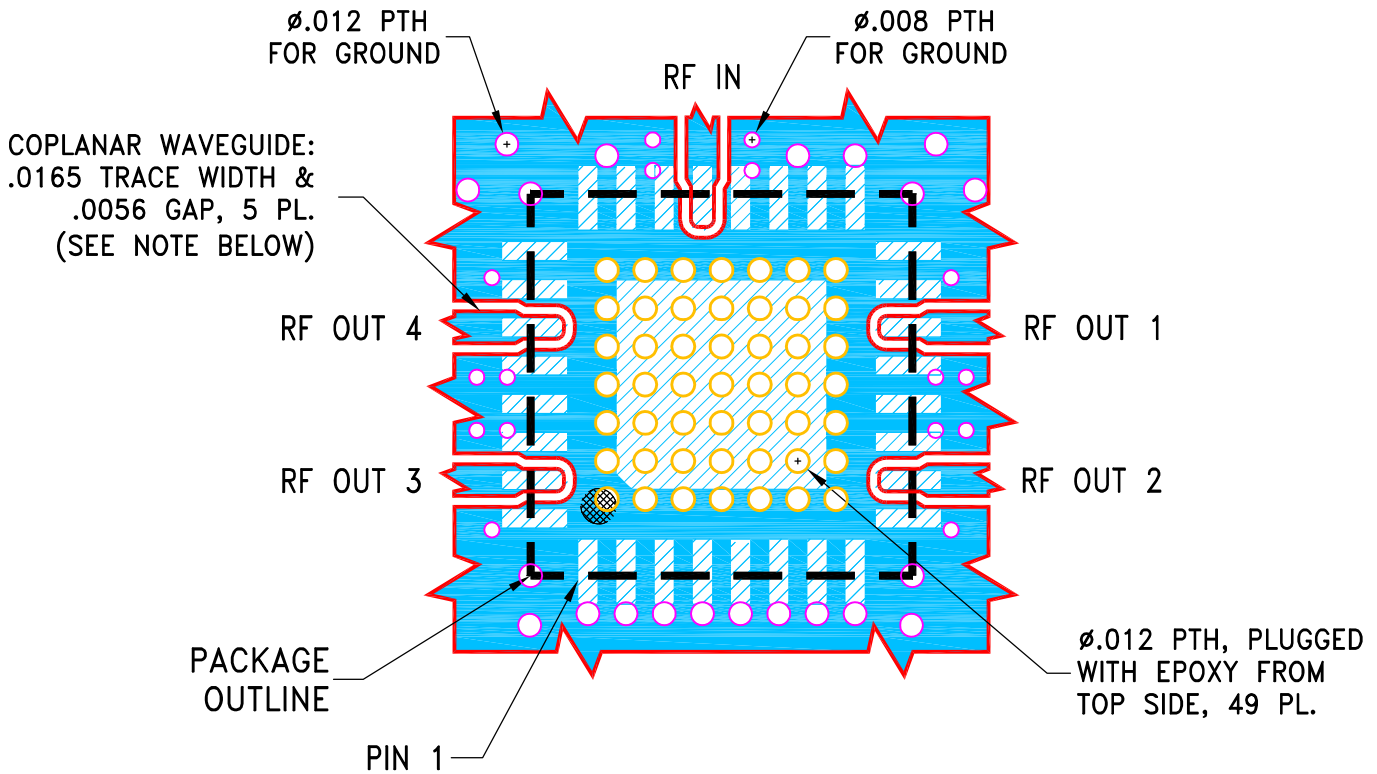
THIRD ANGLE PROJECTION



REVISIONS

REV OR	ECN No.	DESCRIPTION	DATE	DR	AUTH
	M175739	NEW RELEASE	09/10/19	ITG	CM

SUGGESTED MOUNTING CONFIGURATION
FOR DG1677-2 CASE STYLE

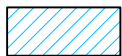


NOTES:

- TRACE WIDTH & GAP ARE SHOWN FOR ROGERS R04350B WITH DIELECTRIC THICKNESS .010"±.001"; COPPER: 1/2 OZ. EACH SIDE. FOR OTHER MATERIALS TRACE WIDTH & GAP MAY NEED TO BE MODIFIED.
- BOTTOM SIDE OF THE PCB IS CONTINUOUS GROUND PLANE.



DENOTES PCB COPPER LAYOUT WITH SMOBC (SOLDER MASK OVER BARE COPPER).



DENOTES COPPER LAND PATTERN FREE OF SOLDER MASK.

UNLESS OTHERWISE SPECIFIED	INITIALS		DATE
DIMENSIONS ARE IN INCHES TOLERANCES ON: 2 PL DECIMALS ± 3 PL DECIMALS ± .005 ANGLES ± FRACTIONS ±	DRAWN	ITG	08/28/19
	CHECKED	GF	09/03/19
	APPROVED	CM	09/10/19



Mini-Circuits®

13 Neptune Avenue
Brooklyn NY 11235

PL, DG1677-2, TB-EP4RKU+/EP4KA+

SIZE	CODE IDENT	DRAWING NO:	REV:
A	15542	98-PL-649	OR
FILE:	98PL649	SCALE: 10:1	SHEET: 1 OF 1

Mini-Circuits®
THIS DOCUMENT AND ITS CONTENTS ARE THE PROPERTY OF MINI-CIRCUITS. EXCEPT FOR USE EXPRESSLY GRANTED, IN WRITING, TO ITS VENDORS, VENDEE AND THE UNITED STATES GOVERNMENT, MINI-CIRCUITS RESERVES ALL PROPRIETARY DESIGN, USE, MANUFACTURING AND REPRODUCTION RIGHTS THERETO. THESE CONTENTS SHALL NOT BE USED, DUPLICATED OR DISCLOSED TO ANY OUTSIDE PARTY, IN WHOLE OR IN PART, WITHOUT WRITTEN PERMISSION OF MINI-CIRCUITS.