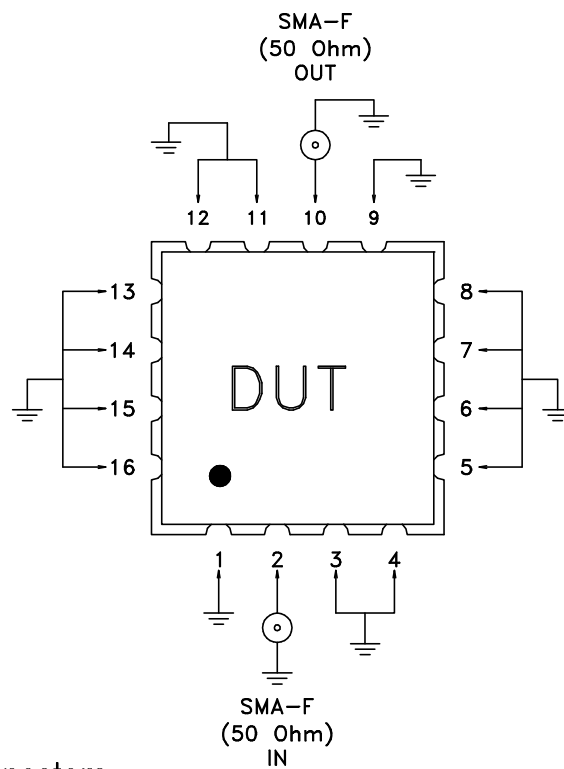
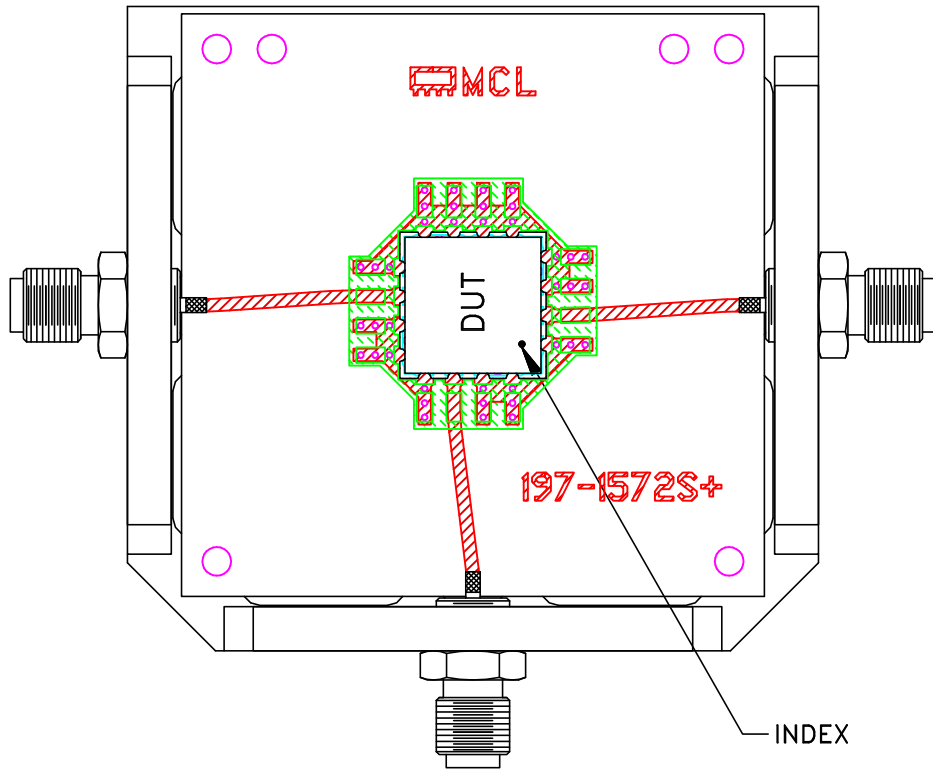



Evaluation Board and Circuit

TB-1000+



Notes:

1. 50 Ohm SMA Female connectors.
2. PCB Material: R04350B, ROGERS OR Equivalent
Dielectric Constant=3.48, Thickness=.020inch.

 **Mini-Circuits®**