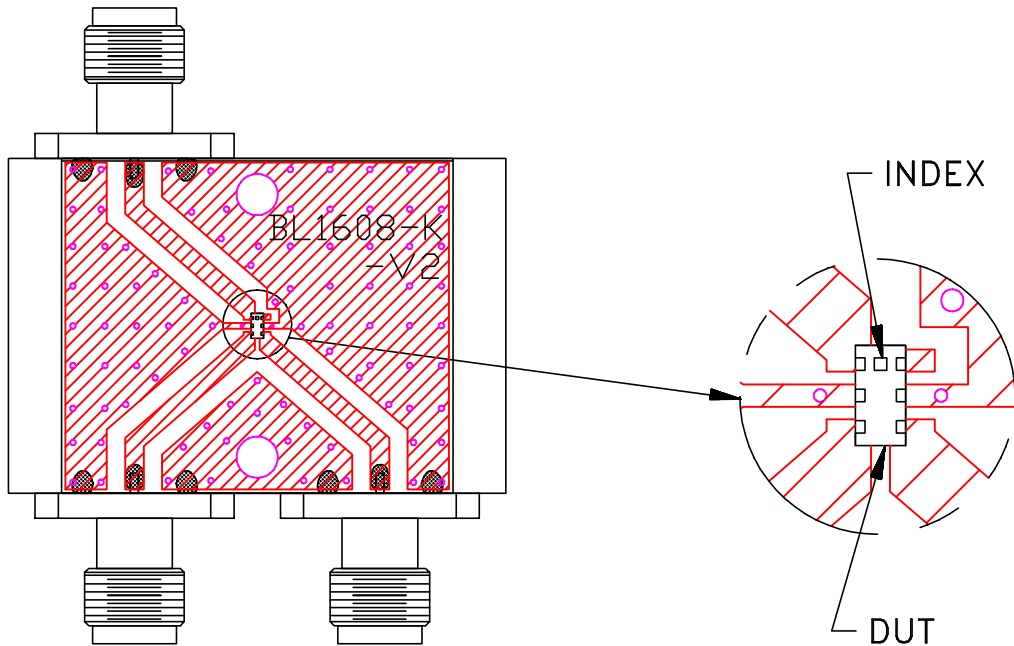


# Evaluation Board and Circuit

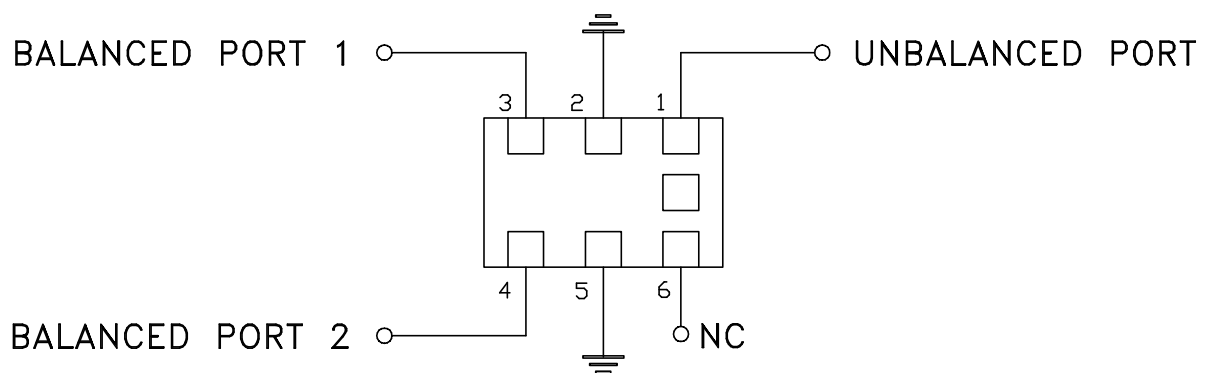
UNBALANCED PORT



BALANCED PORT 1 BALANCED PORT 2

TB-1015+


OR DC FEED+GND



Schematic Diagram

## Notes:

1. 50 Ohm SMA Female connectors.
2. PCB Material: R04233 or equivalent,  
Dielectric Constant=3.5, Thickness=.020 inch.

 **Mini-Circuits®**