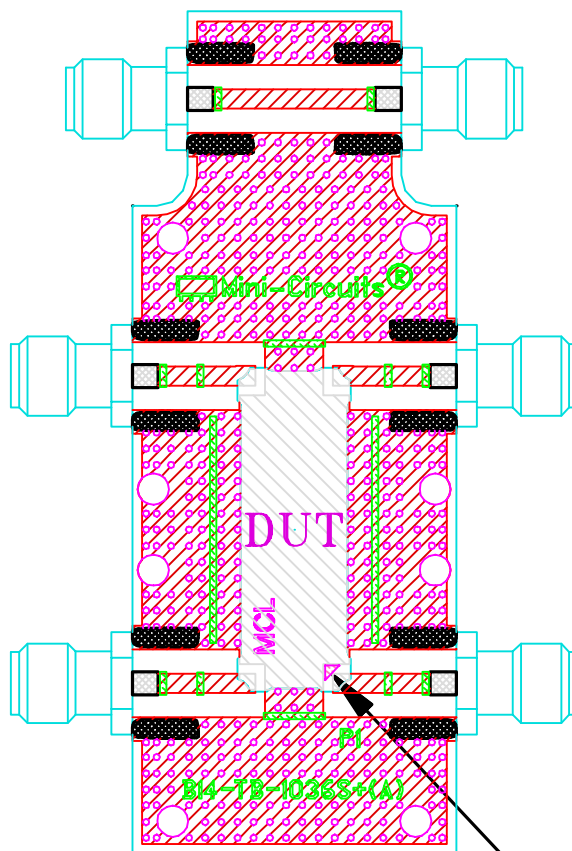


# Evaluation Board and Circuit

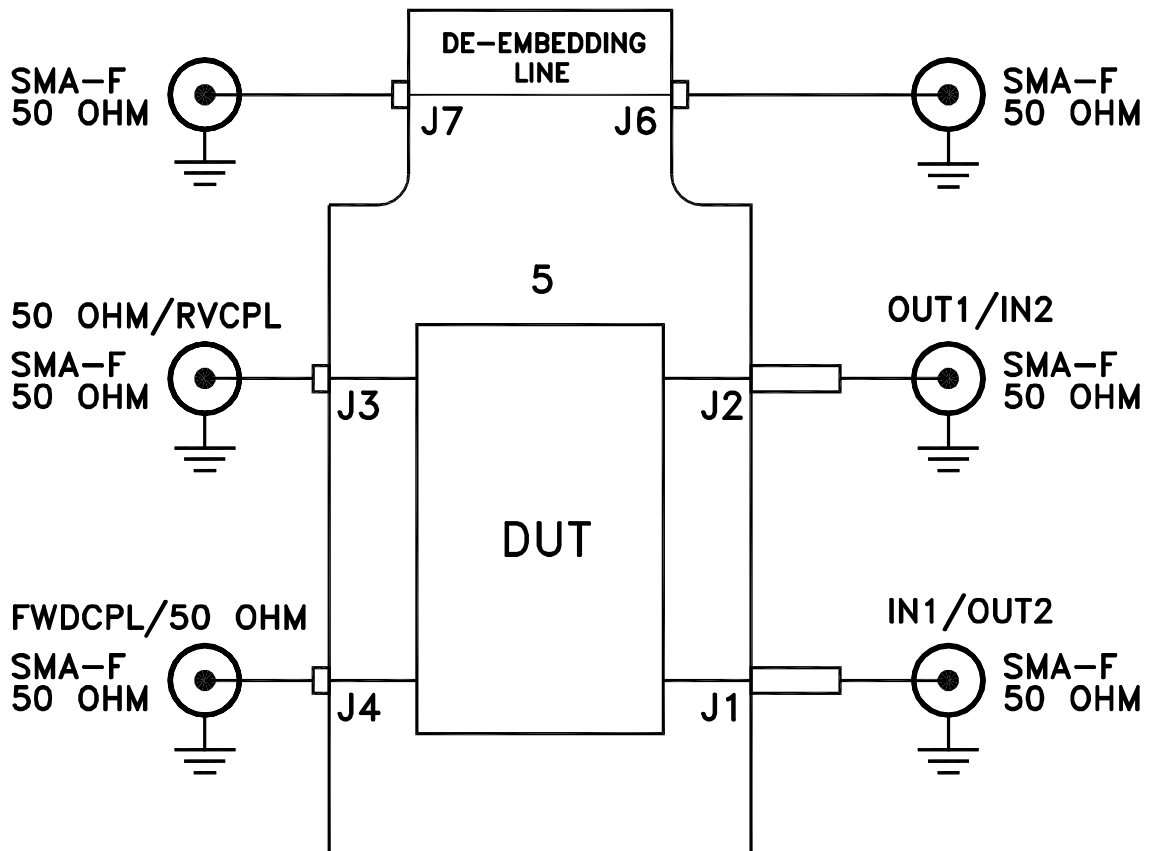


INDEX

TB-1036+

## NOTES:

1. SMA FEMALE CONNECTORS.
2. PCB MATERIAL: ROGERS RT/DUROID 5880 OR EQUIVALENT,  
DIELECTRIC CONSTANT=2.2,  
DIELECTRIC THICKNESS=.020 INCH.



TB-1036+  
Schematic Diagram