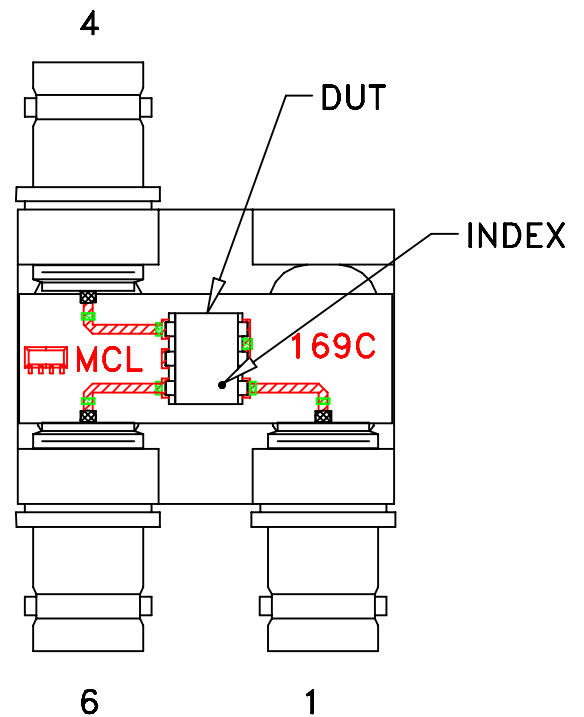
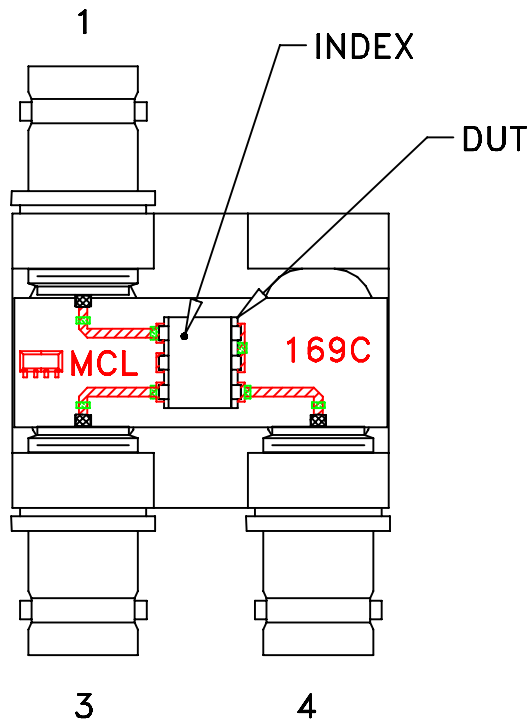
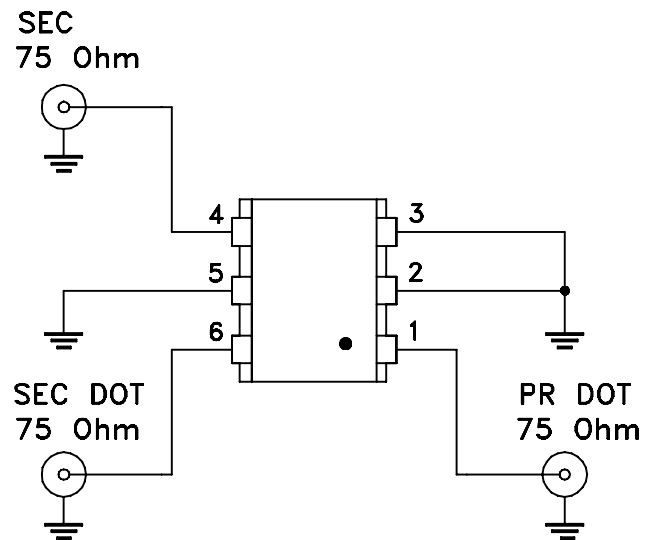
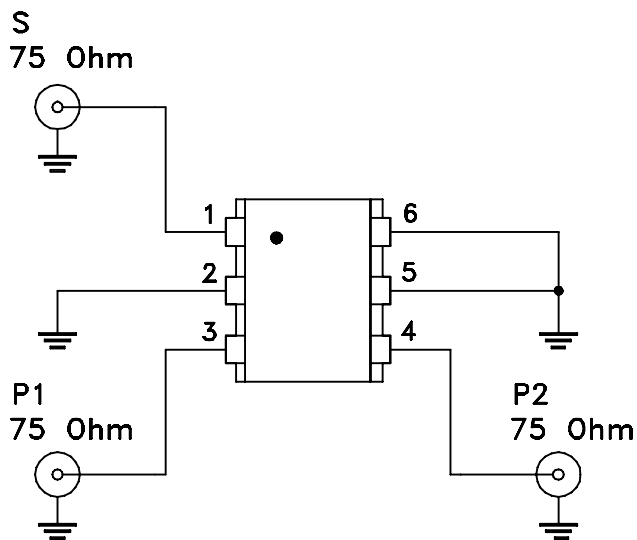


Evaluation Board and Circuit

For Pin Connections and DUT Orientation Refer to
Data Sheet of the DUT




TB-169



Schematic Diagram

Notes:

1. BNC Female connectors.
2. PCB Material: Rogers R04350 or equivalent,
Dielectric Constant=3.5, Thickness=.030 inch.

 Mini-Circuits®