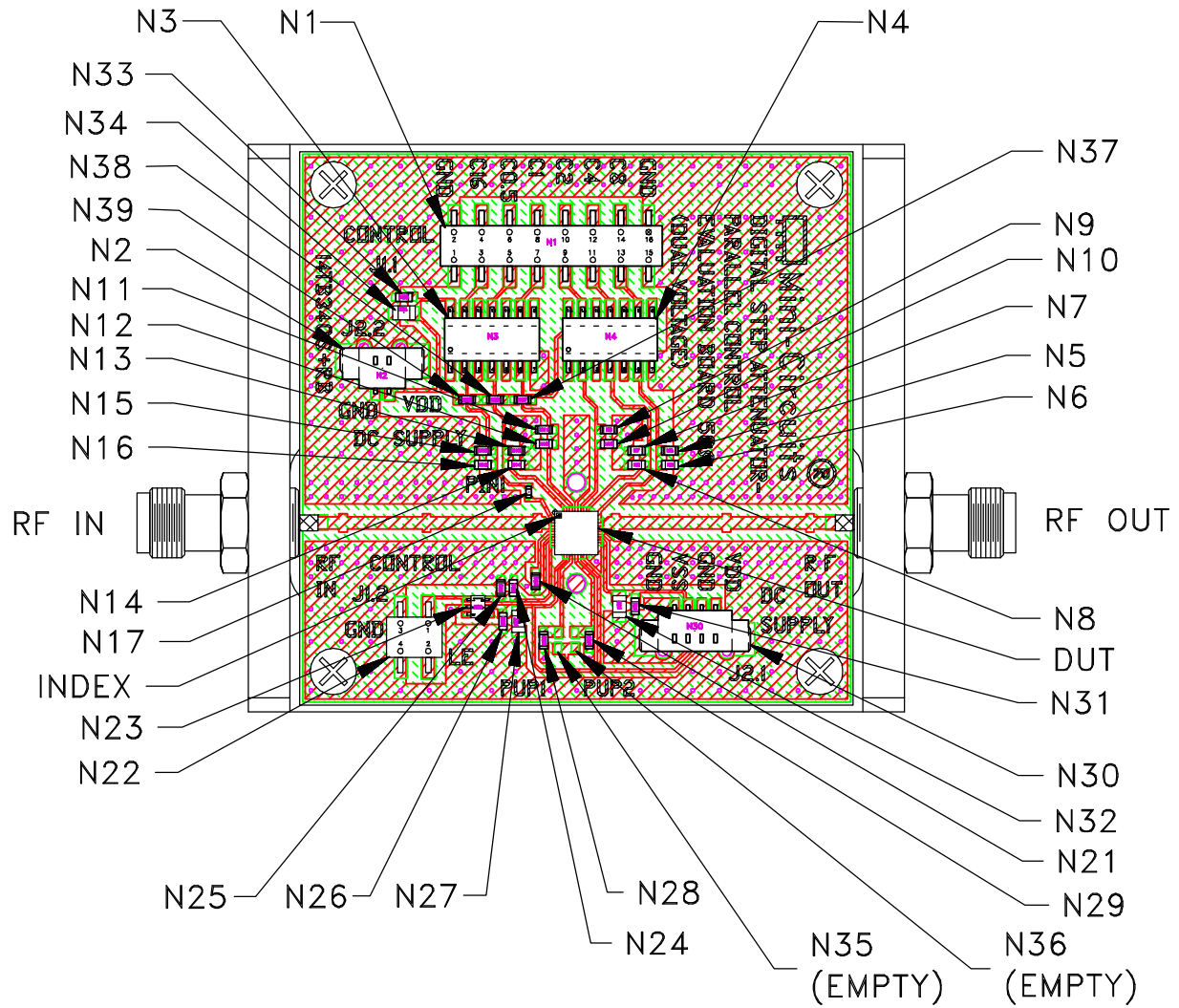



# Evaluation Board and Circuit

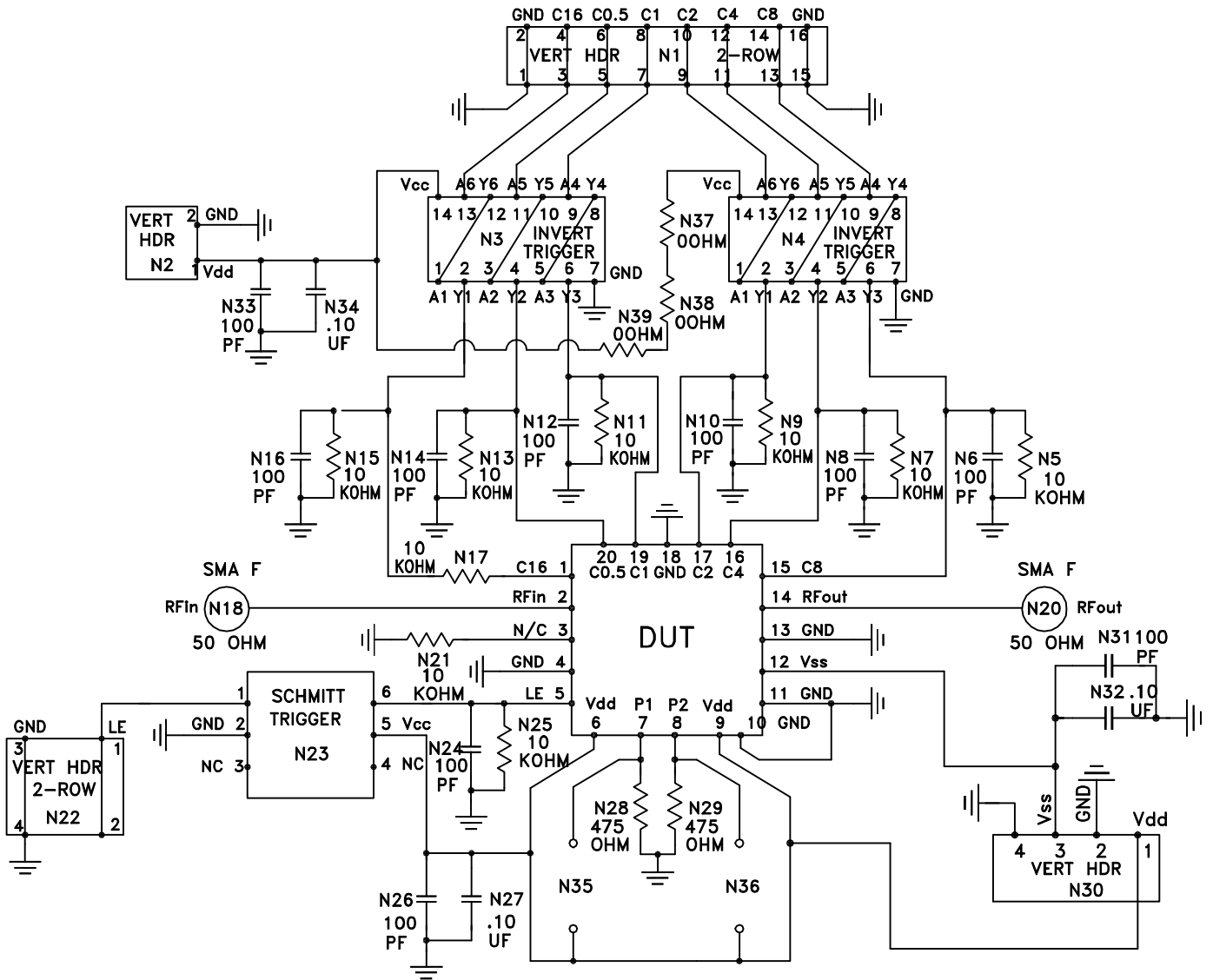


TB-340

## Notes:

1. N-Type Female connectors.
2. PCB Material: FR4 Grade IT 180TC (ITEQ Corporation) or equivalent,  
Dielectric Constant=4.7, Thickness=.025 inch.

 **Mini-Circuits®**



Schematic Diagram