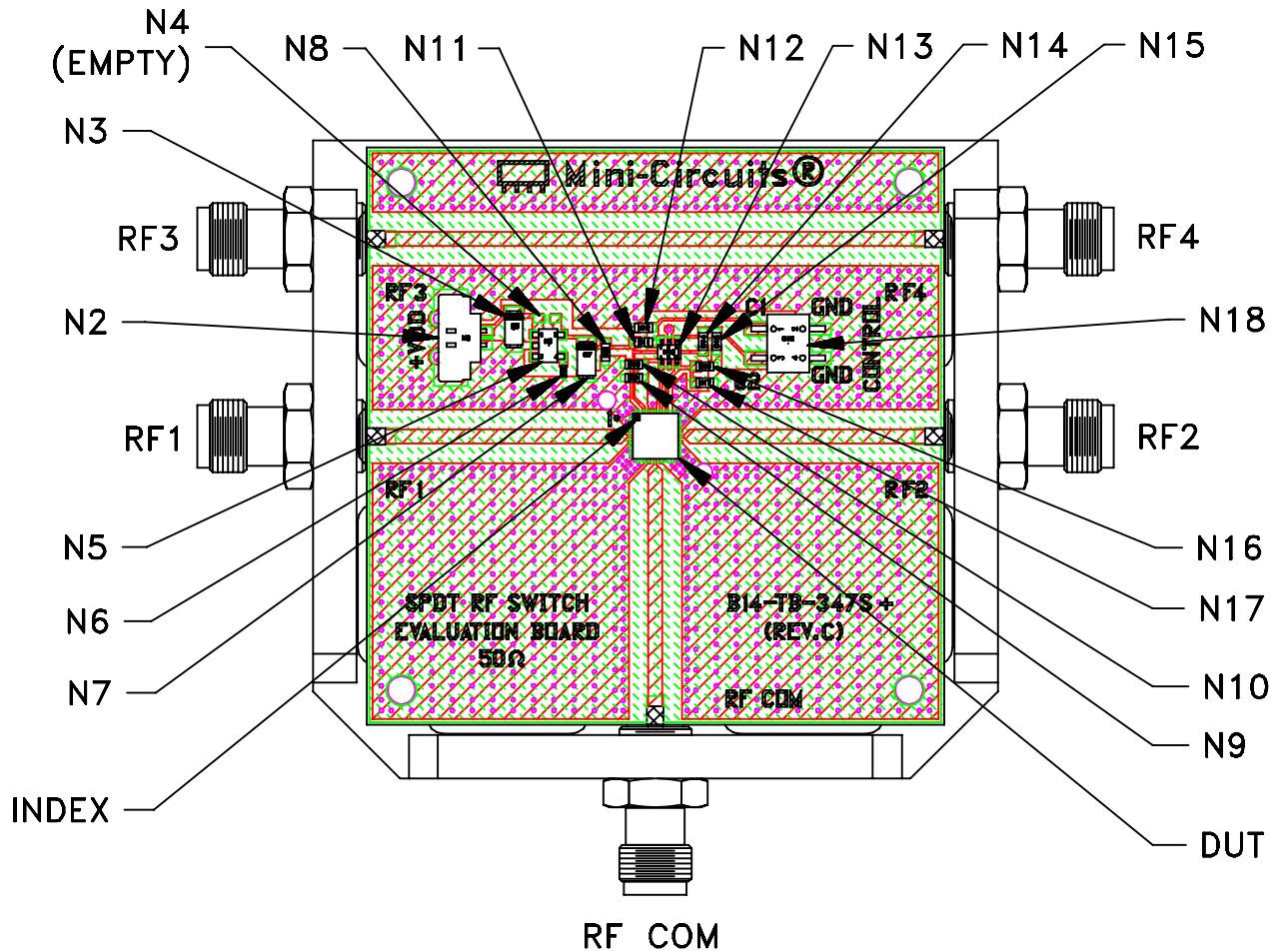



Evaluation Board and Circuit

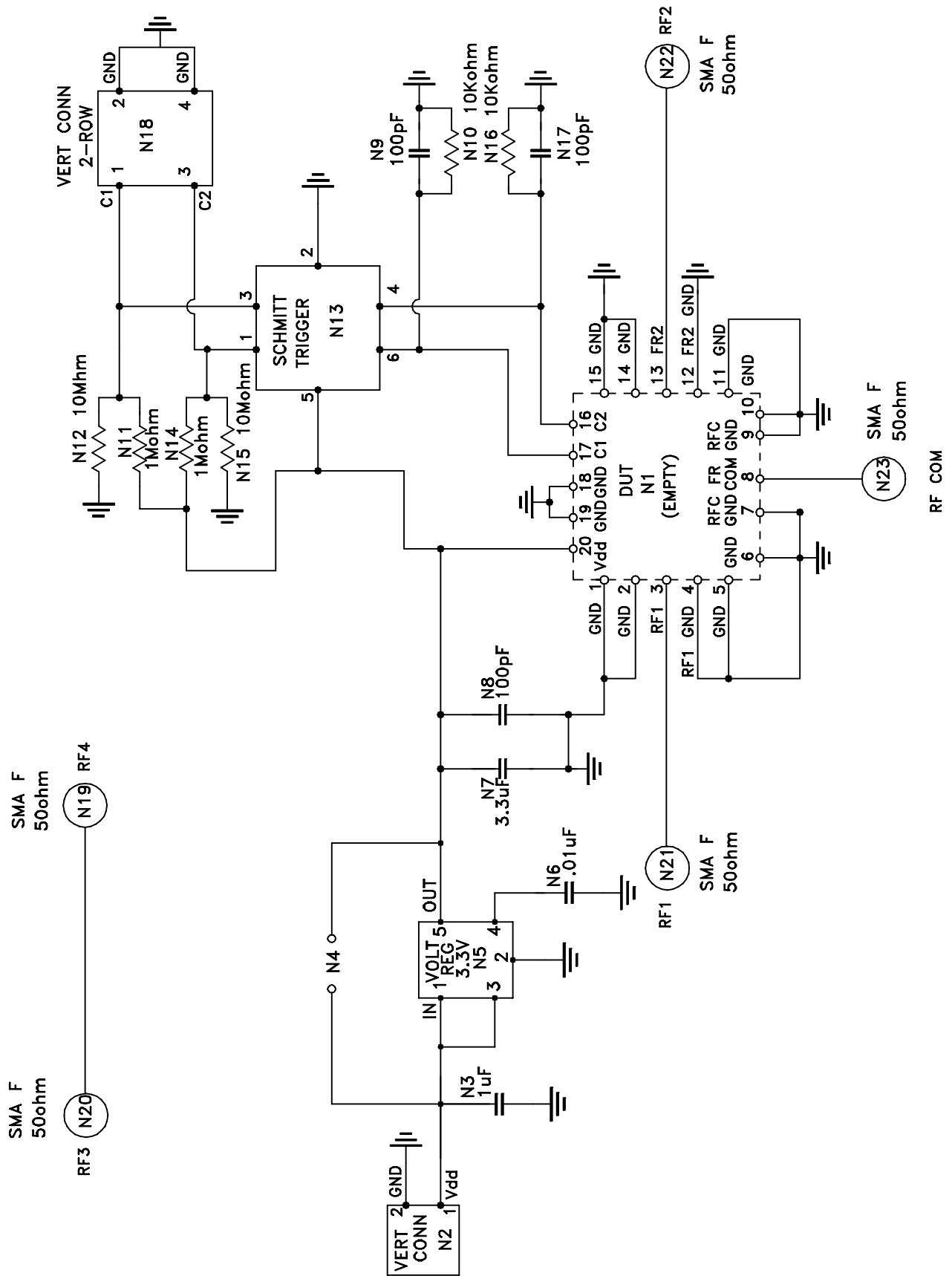


TB-347

Notes:

1. SMA Female connectors.
2. PCB Material: FR4 Grade IT 180TC (ITEQ Corporation) or equivalent, Dielectric Constant=4.5, Thickness=.025 inch.

 Mini-Circuits®



Schematic Diagram