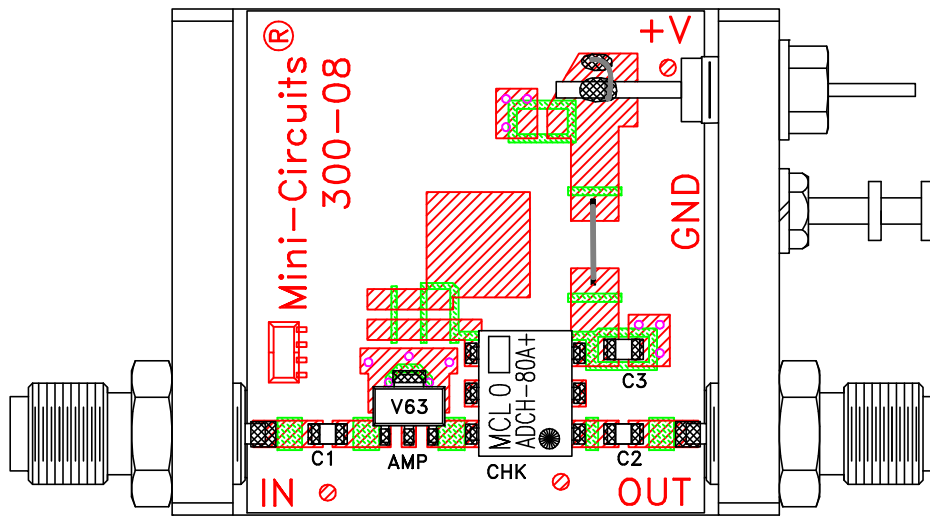
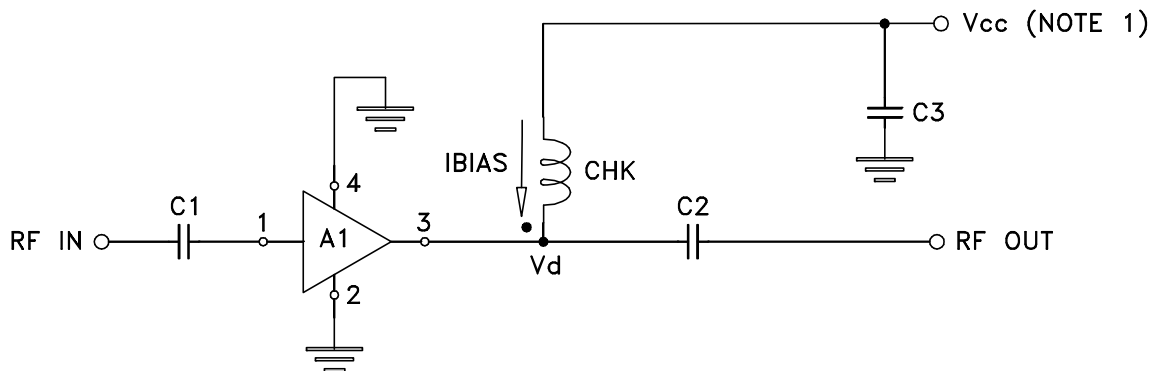


# Evaluation Board and Circuit




TB-410-62+



| COMPONENT   | VALUE                   |
|-------------|-------------------------|
| A1          | GVA-62+                 |
| C1 (NOTE 4) | 2400 pF                 |
| C2 (NOTE 4) | 2400 pF                 |
| C3 (bypass) | 0.1 uF                  |
| CHK         | Mini-Circuits ADCH-80A+ |

Schematic Diagram

- NOTE:**
1. Vcc voltage:  $+5 \pm 0.2V$ .
  2. SMA Female connectors.
  3. PCB material: Rogers R04350 or equivalent, dielectric constant=3.5, dielectric thickness=.030 inch.
  4. Capacitors, C1 & C2 should be free of resonance up to the highest frequency specified.

 **Mini-Circuits®**