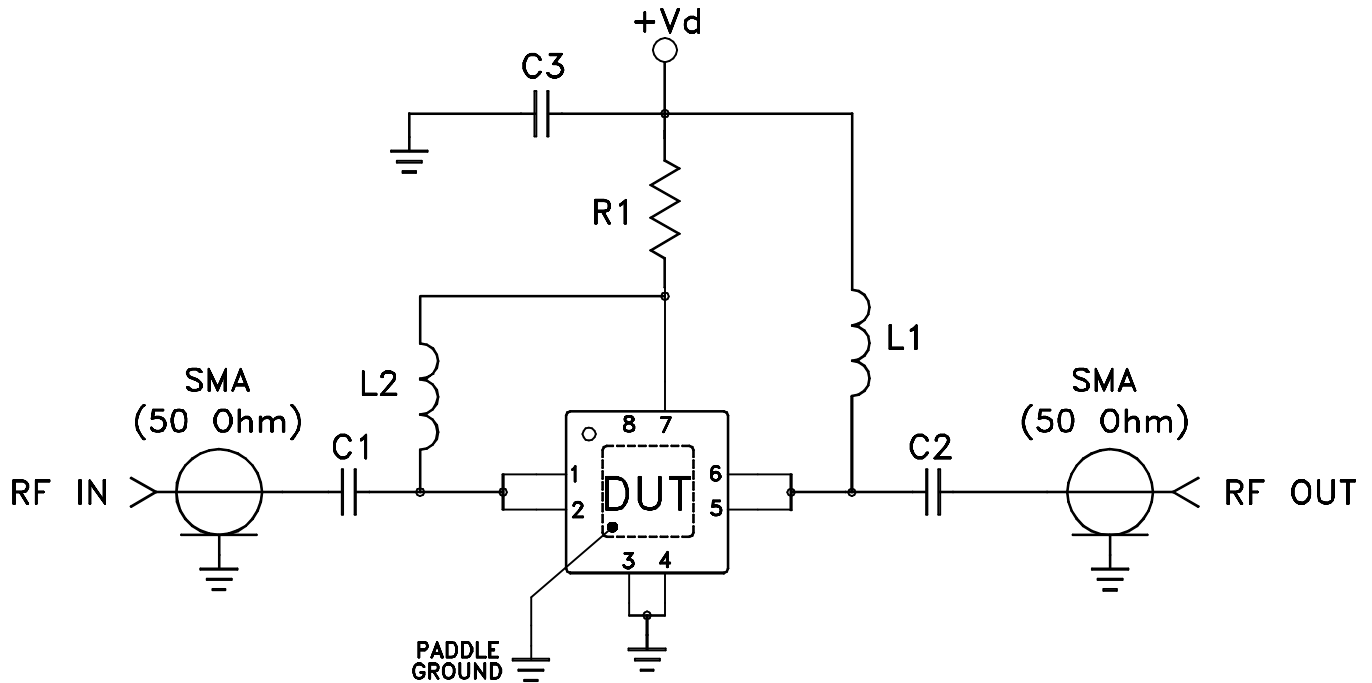
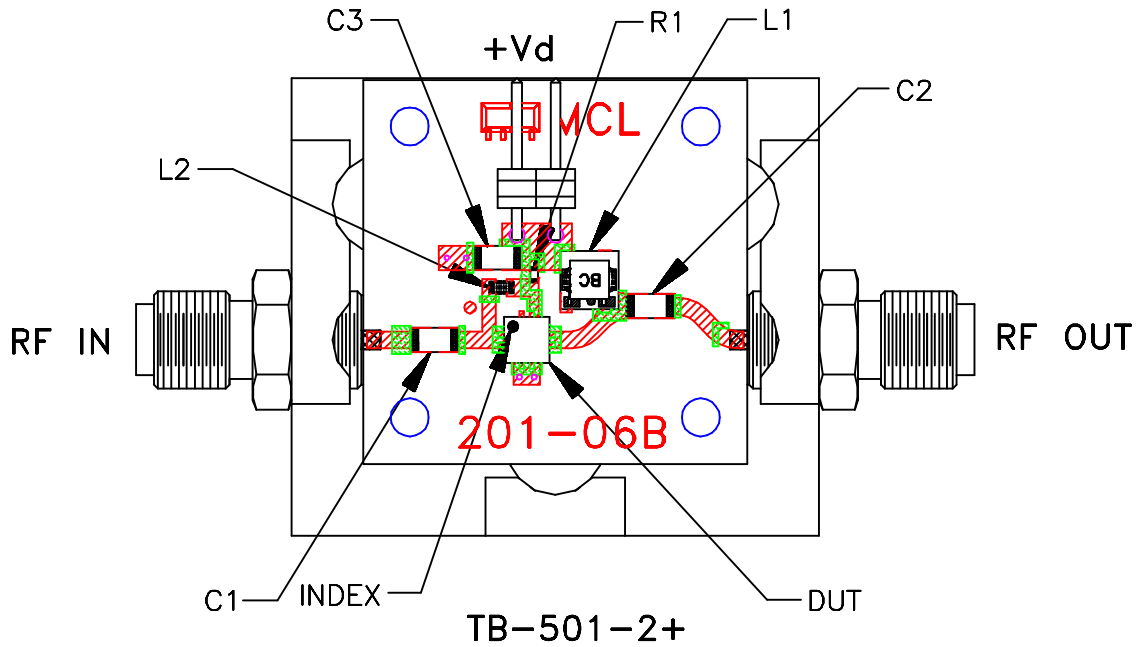


# Evaluation Board and Circuit




| COMPONENT  | VALUE/PART NUMBER       |
|------------|-------------------------|
| DUT        | Mini-Circuits PMA-5452+ |
| C1, C2, C3 | 0.1 uF                  |
| L1         | Mini-Circuits TCCH-80+  |
| L2         | 390 nH                  |
| R1         | 1k Ohm                  |

## Notes:

1. 50 Ohm SMA Female connectors.
2. PCB Material: R04350 or equivalent,  
Dielectric Constant=3.5, Thickness=.020 inch.

## Schematic Diagram

 **Mini-Circuits®**