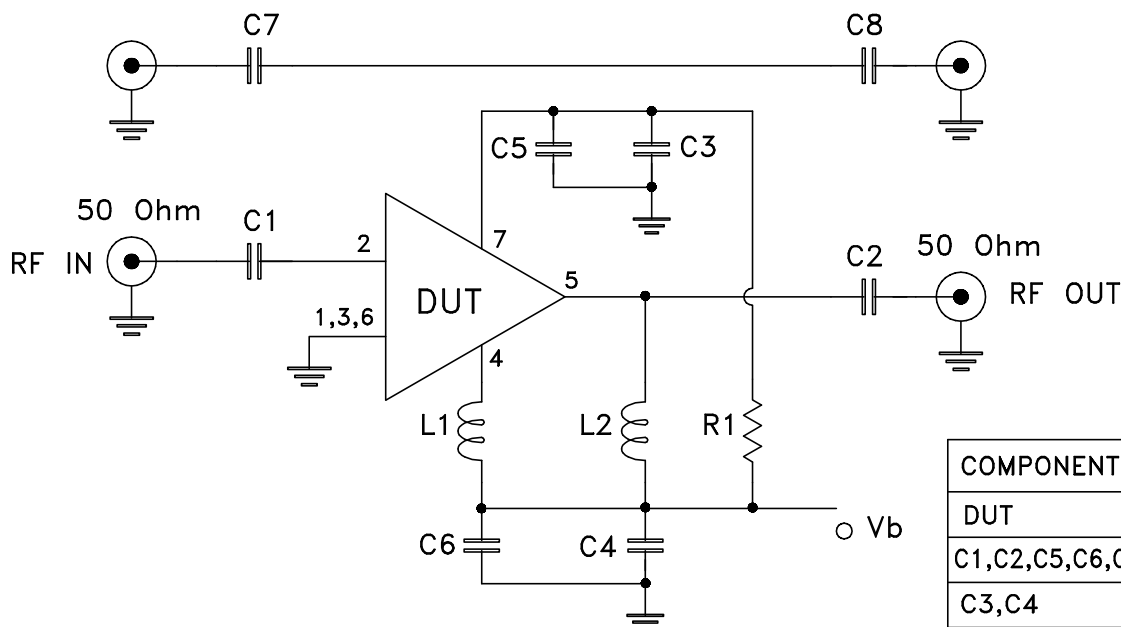
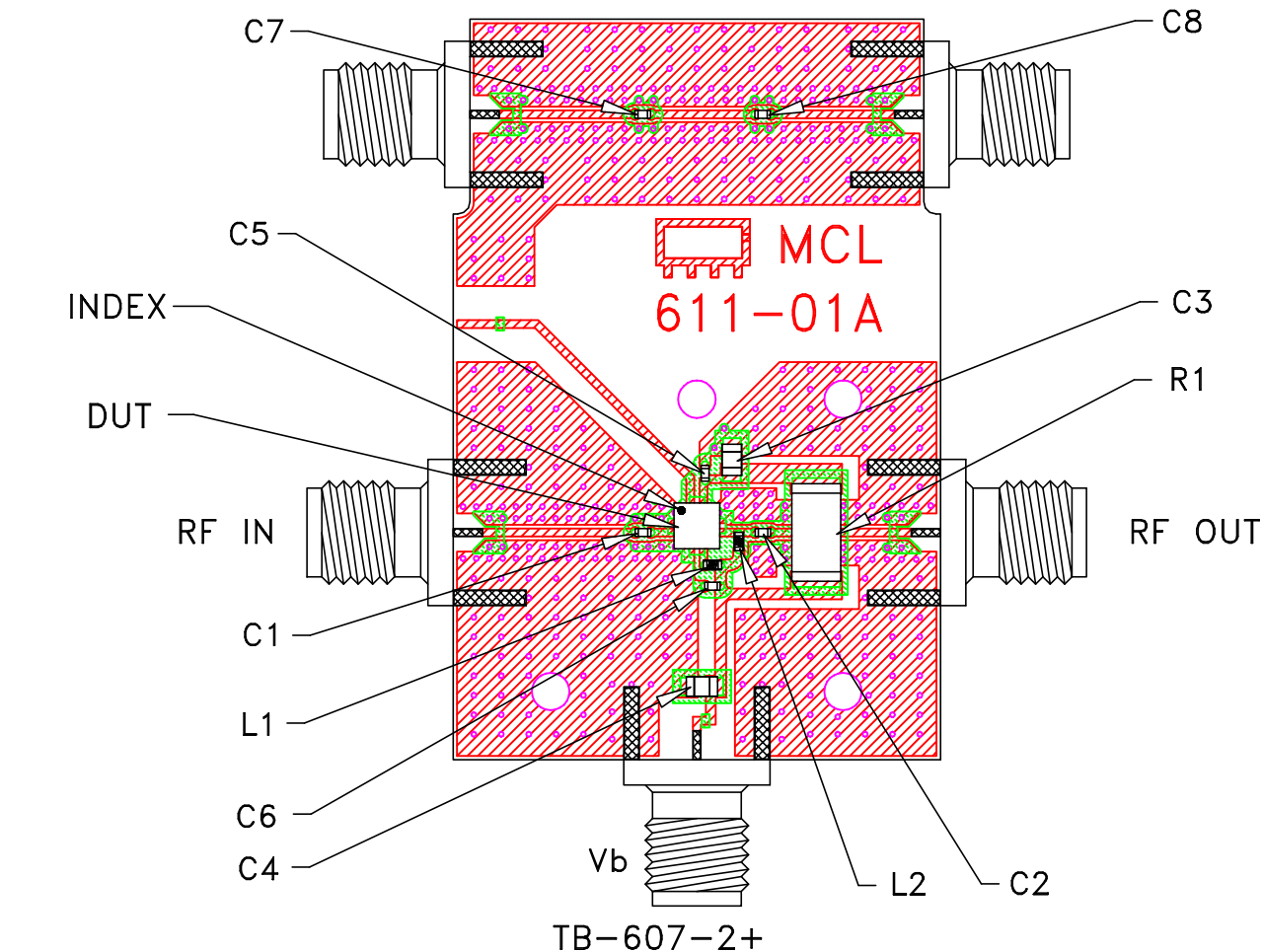


Evaluation Board and Circuit




COMPONENT	DESCRIPTION
DUT	PMA-545G2+, MCL
C1,C2,C5,C6,C7,C8	100 pF
C3,C4	1 uF
R1(SEE NOTE 3)	JUMPER, 0 Ohm
L1	36 nH
L2	47 nH

NOTES:

Schematic Diagram

1. SMA Female connectors.
2. PCB material: Rogers R04350 or equivalent, dielectric constant=3.5, dielectric thickness=.010 inch.
3. R1 is a Bridge and perform no RF function. Not required for multilayer Board.

 **Mini-Circuits®**