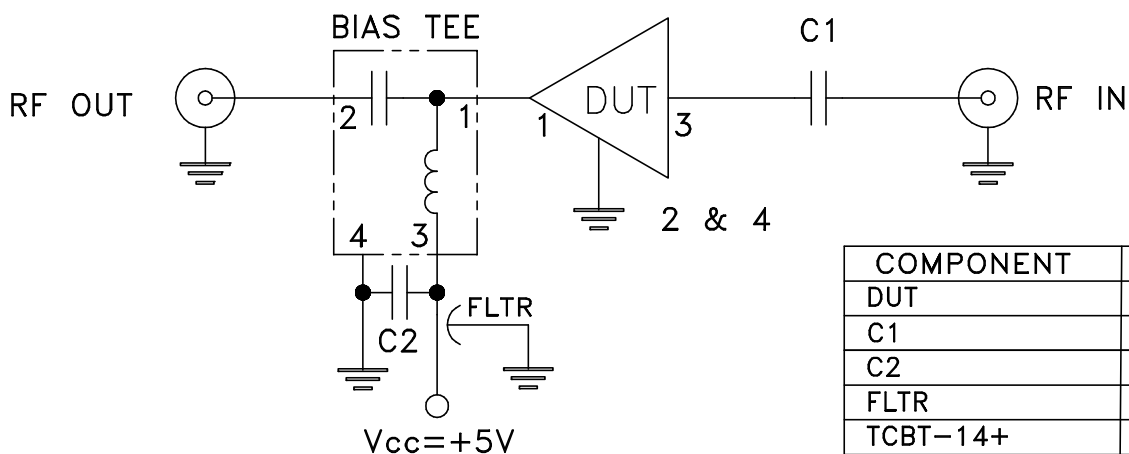
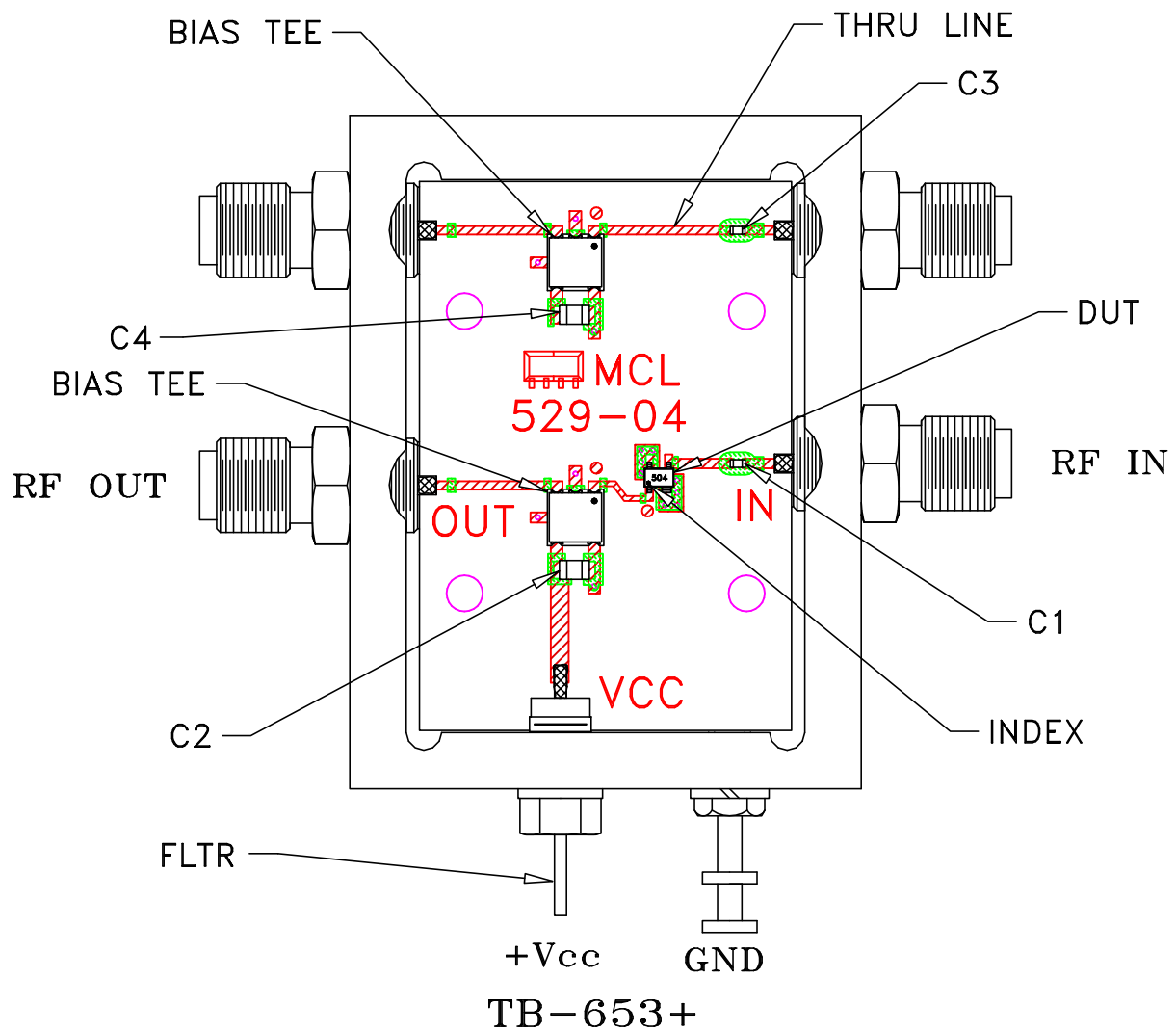


Evaluation Board and Circuit



COMPONENT	VALUE
DUT	PSA4-5043+
C1	1000 pF
C2	0.1 uF
FLTR	1500 pF
TCBT-14+	MCL BIAS-TEE

Schematic Diagram

Notes:

1. 50 Ohm SMA Female connectors.
2. PCB Material: R04350 or equivalent, Dielectric Constant=3.5, Thickness=.010 inch.

Mini-Circuits®