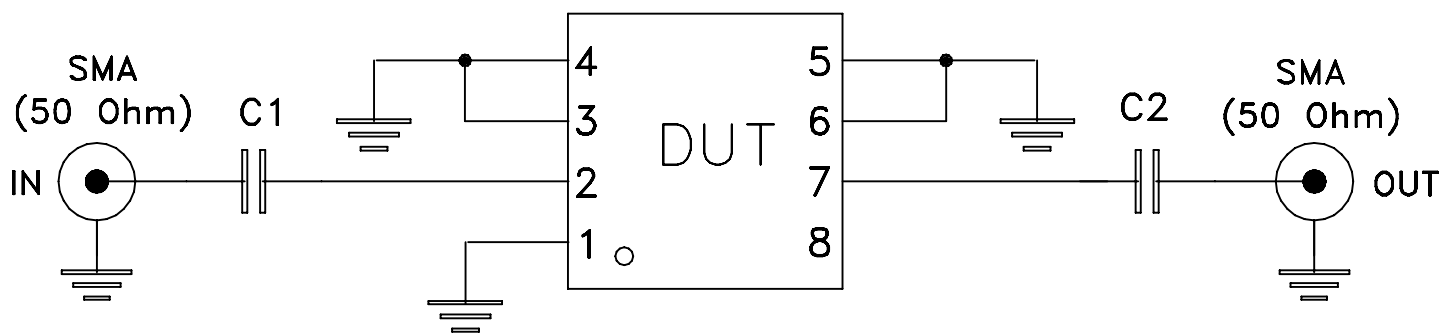
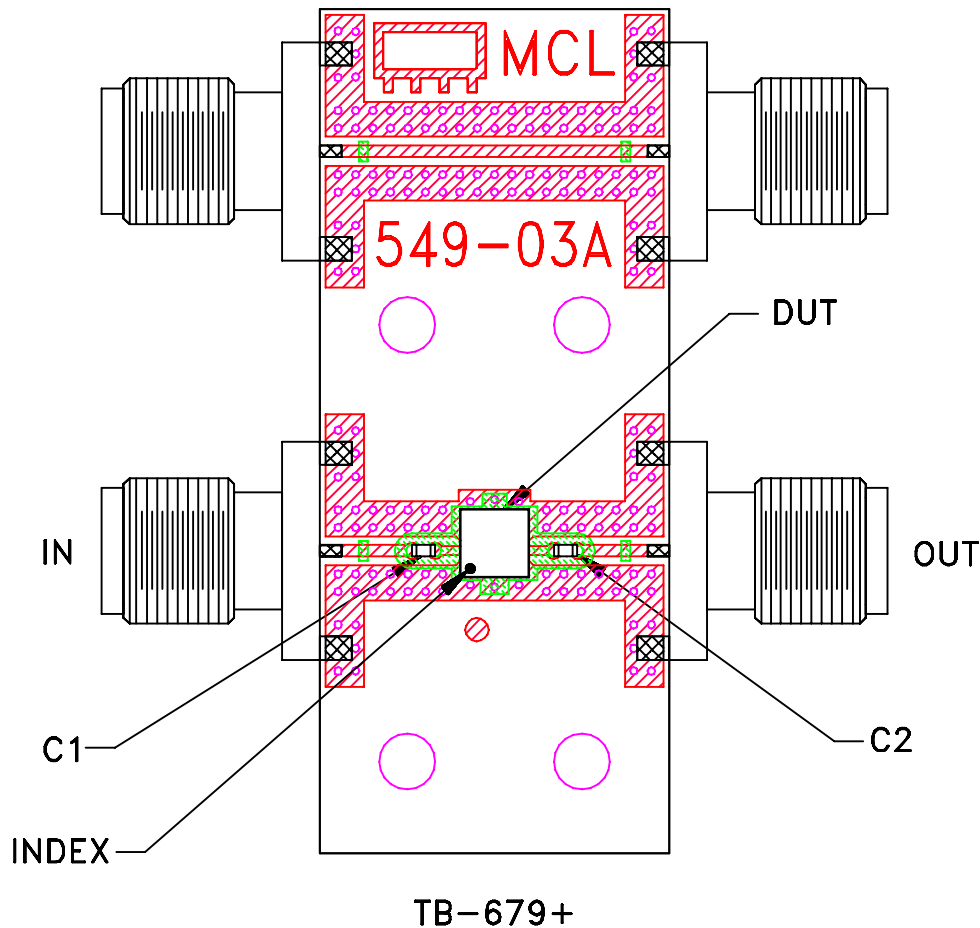


# Evaluation Board and Circuit




COMPONENT	VALUE/PART NUMBER
C1, C2	0.001 uF

## Schematic Diagram

### Notes:

1. 50 Ohm SMA Female connectors.
2. PCB Material: R04350 or equivalent,  
Dielectric Constant=3.5, Thickness=.010 inch.

 **Mini-Circuits®**