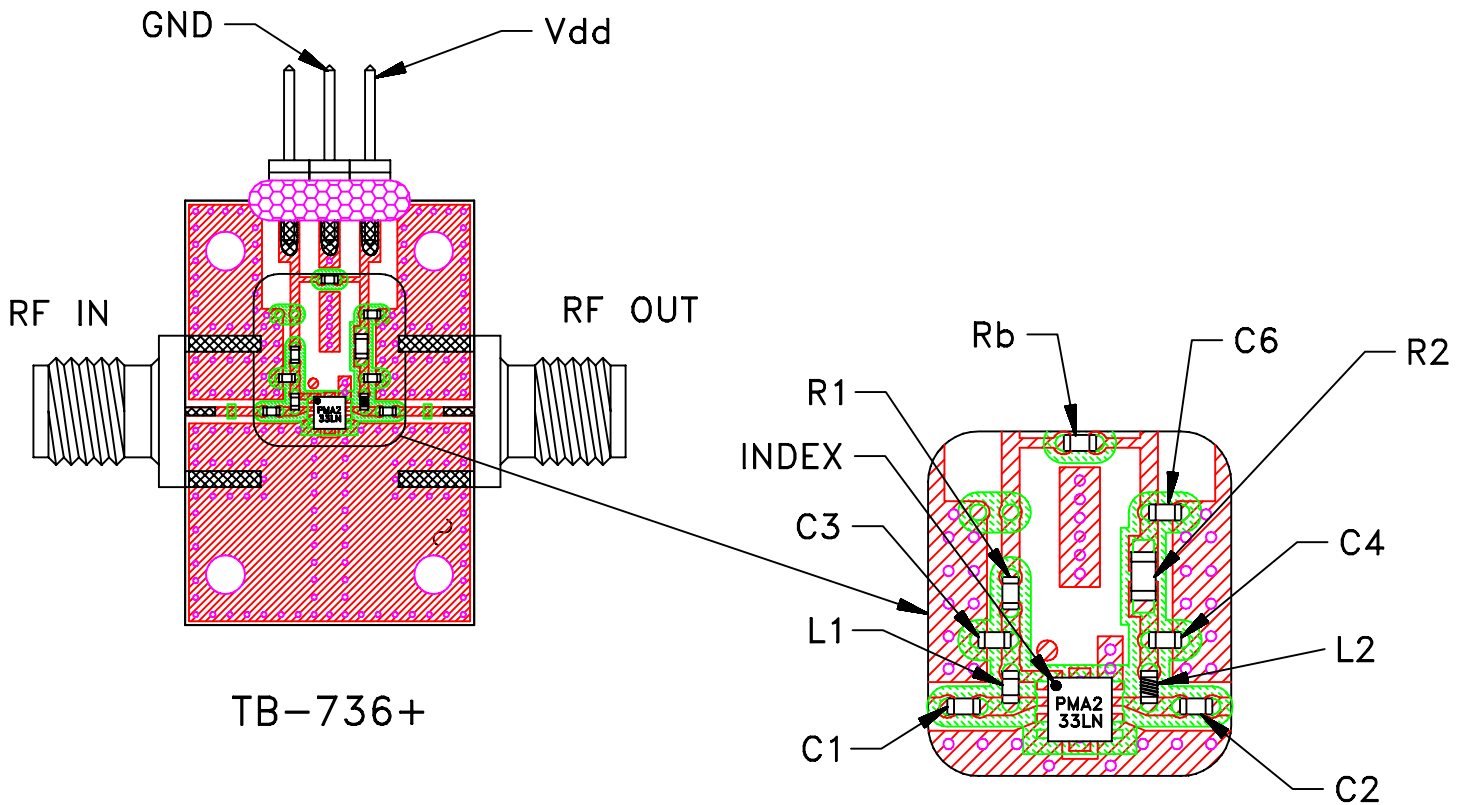
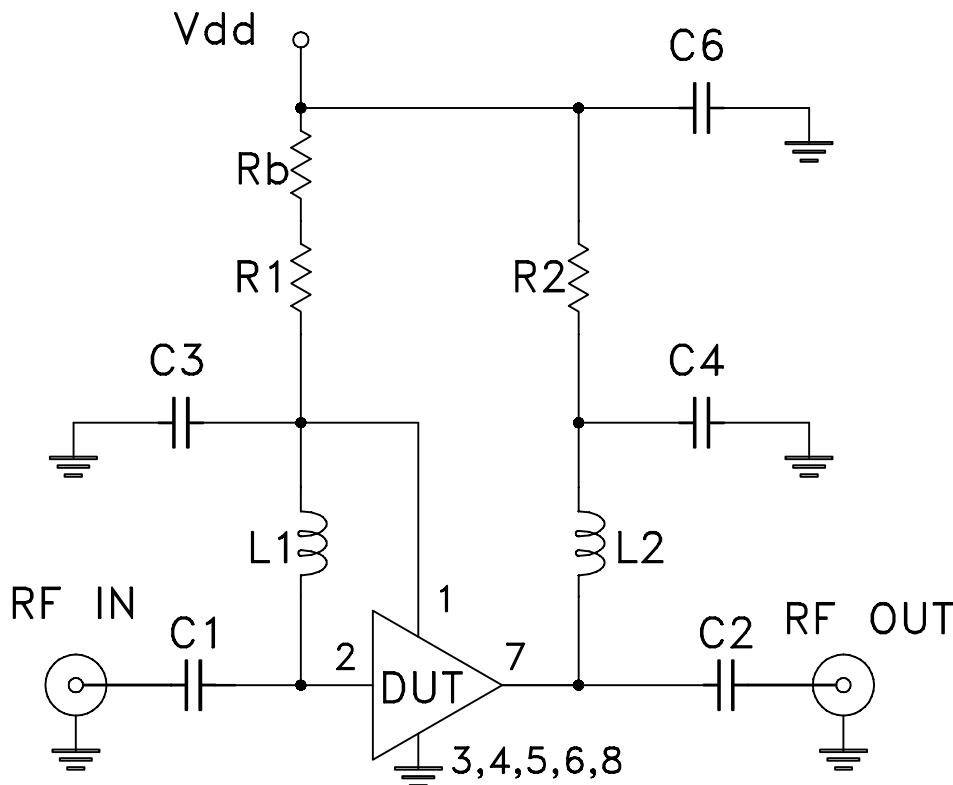


Evaluation Board and Circuit



TB-736+



ITEM	DESCRIPTION	SIZE
C1,C2	CAP, 100 pF	0402
C3,C6	CAP, 4.7 uF	0402
C4	CAP, 33 pF	0402
L1	IND, 33 nH	0402
L2	IND, 33 nH	0402
R1	RES, 0 Ohm	0402
R2	RES, 10 Ohm	0603
Rb	RES, 4.02 kOhm	0402
DUT	PMA2-33LN+	-

Schematic Diagram

NOTES:

1. SMA Female connectors.
2. PCB material: Rogers R04350 or equivalent, dielectric constant=3.5, dielectric thickness=.010 inch.

