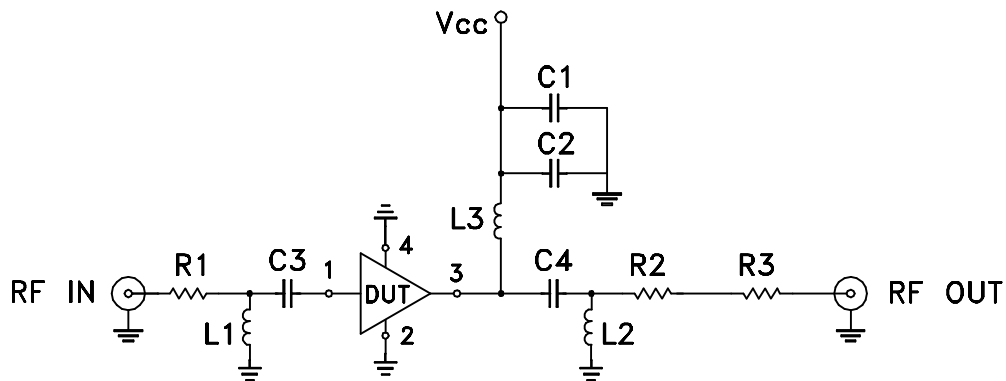
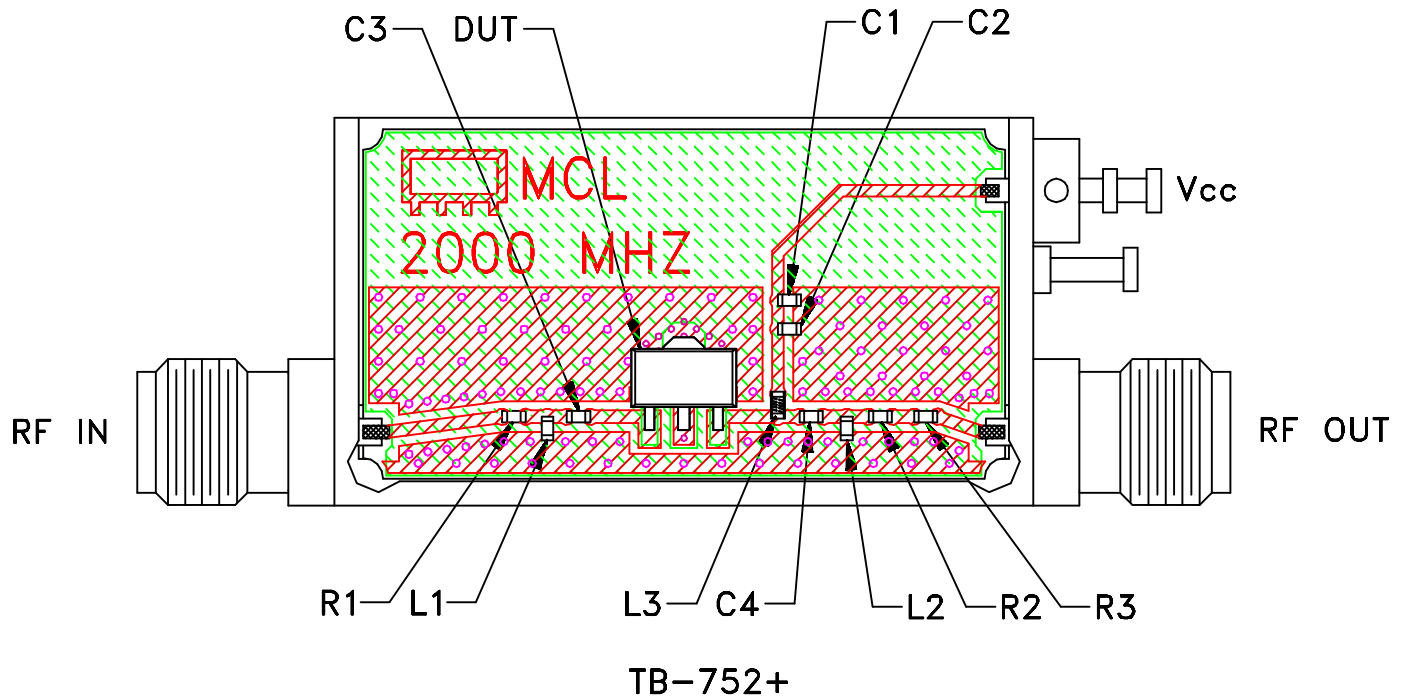


Evaluation Board and Circuit



COMPONENT	VALUE	SIZE
DUT	GVA-91+	0402
C1	1.0 uF	
C2	22 pF	
C3	1.5 pF	
C4	1.8 pF	
R1,R2,R3	0 Ohm	
L1	1.2 nH	
L2	1.8 nH	
L3	18 nH	

Schematic Diagram

Notes:

1. 50 Ohm SMA Female connectors.
2. PCB Material: R04350 or equivalent,
Dielectric Constant=3.5, Thickness=.010 inch.

Mini-Circuits®