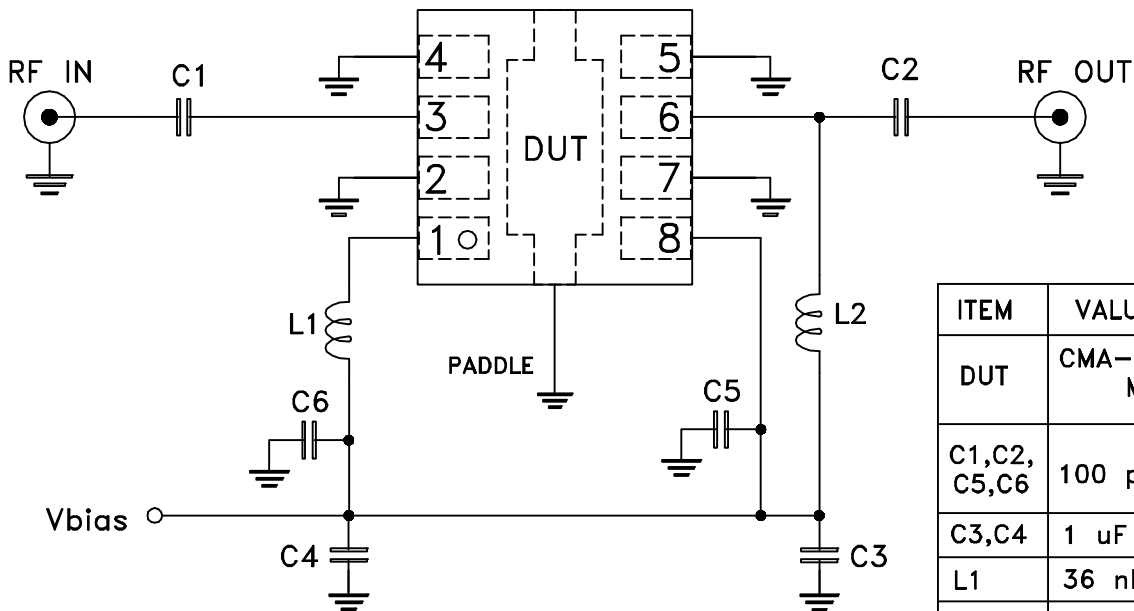
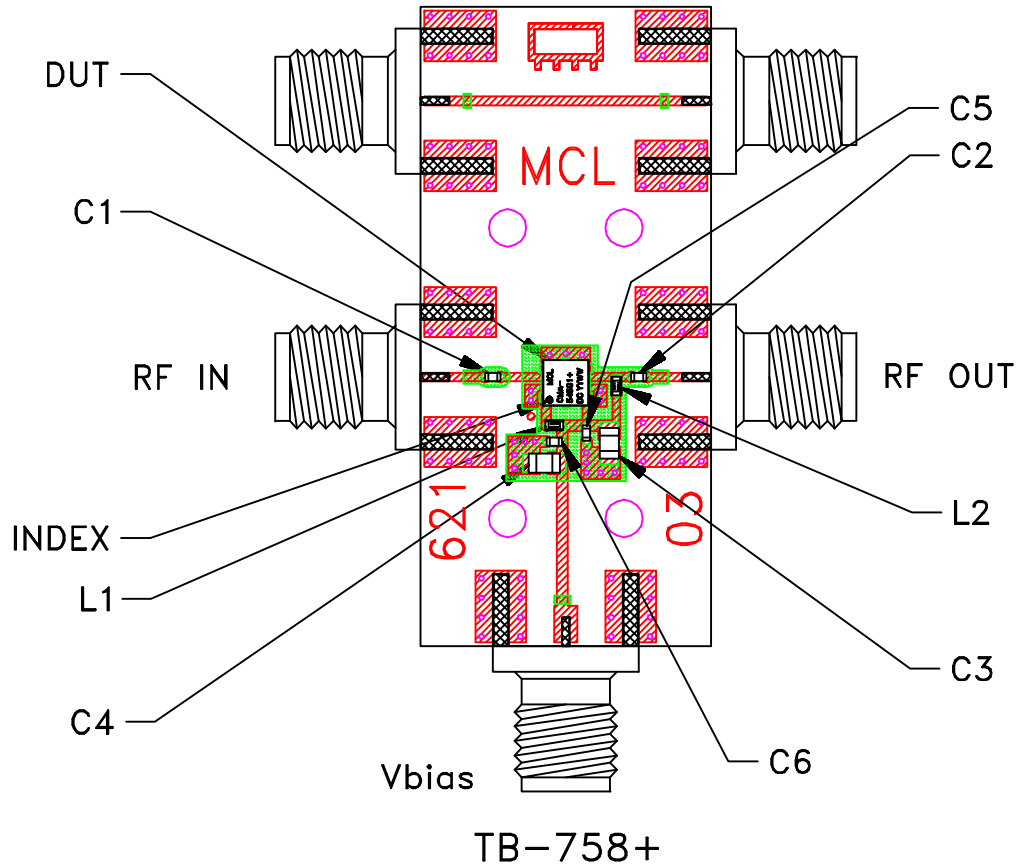


Evaluation Board and Circuit




ITEM	VALUE	SIZE
DUT	CMA-545G1+, MCL	
C1,C2, C5,C6	100 pF	0402
C3,C4	1 uF	0805
L1	36 nH	0402
L2	47 nH	

Schematic Diagram

NOTES:

1. SMA Female connectors.
2. PCB material: Rogers R04350 or equivalent, dielectric constant=3.5, dielectric thickness=.010 inch.

 **Mini-Circuits®**