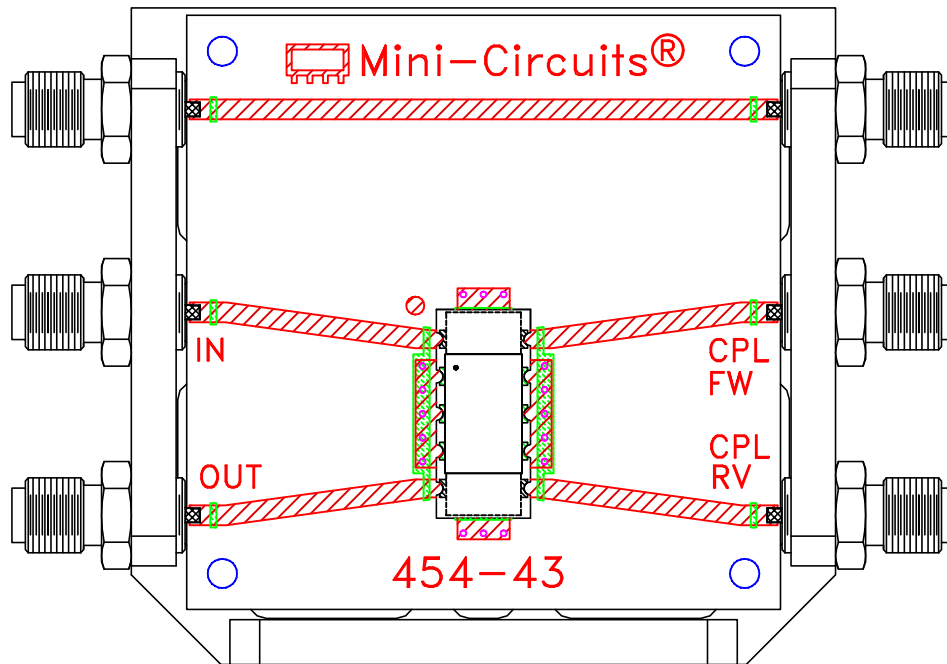
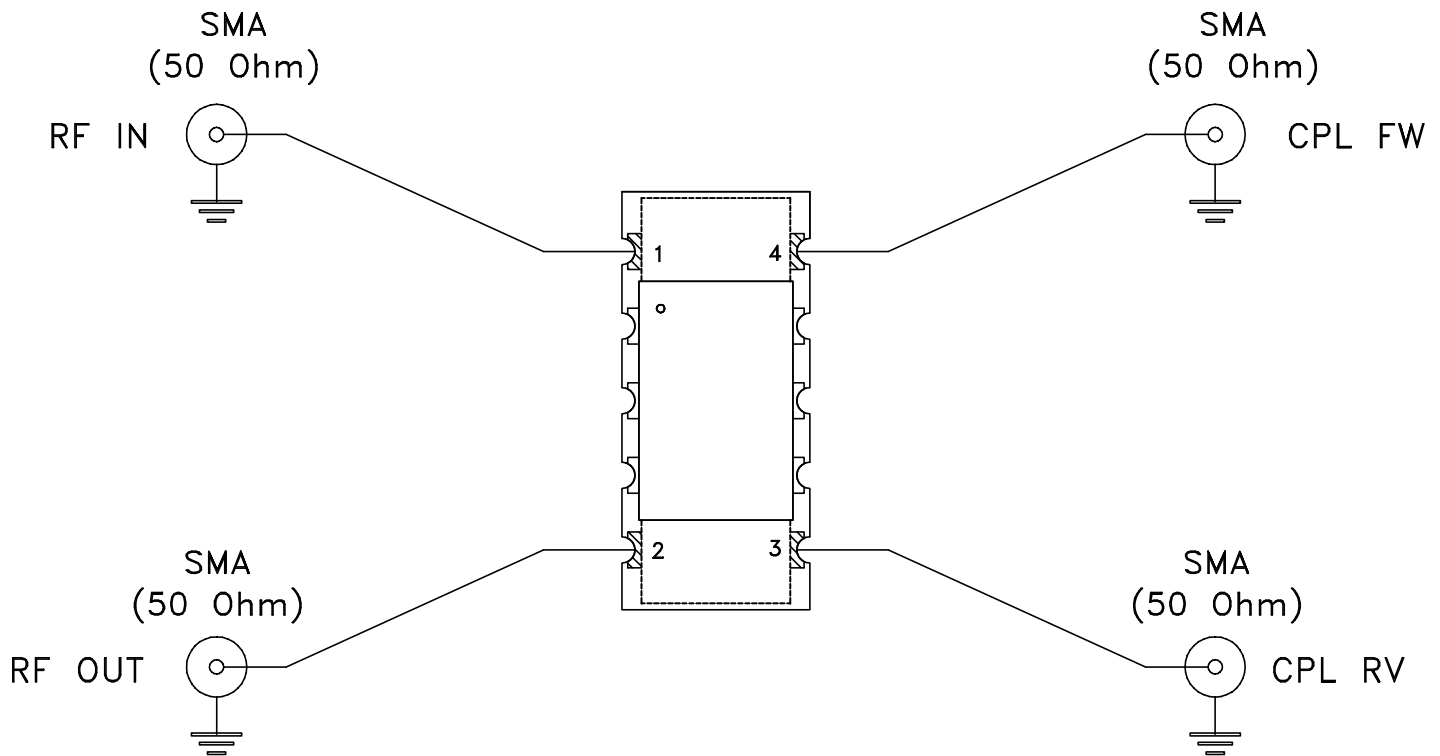


Evaluation Board and Circuit



TB-774A+



Schematic Diagram

Notes:

1. SMA Female connectors.
2. PCB Material: R04350 or equivalent.
Dielectric Constant=3.5, Thickness=.030 inch.

