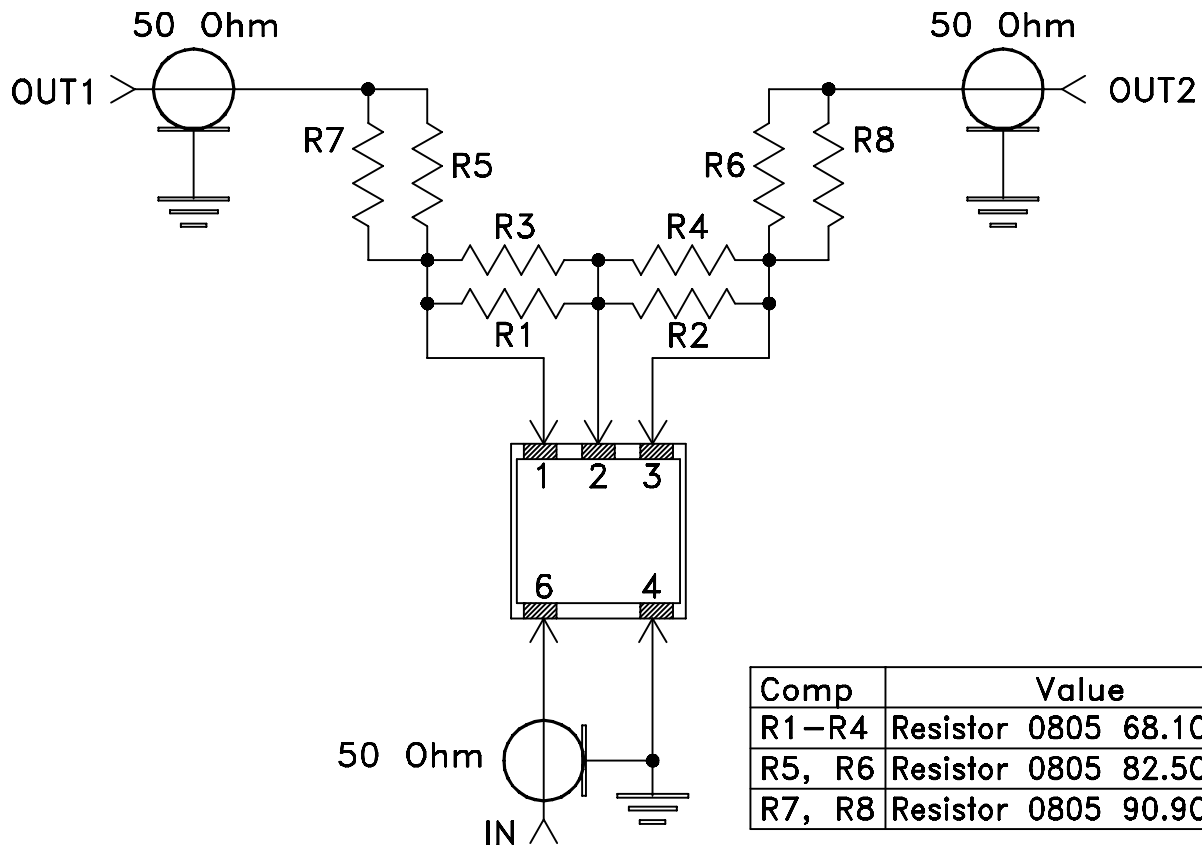
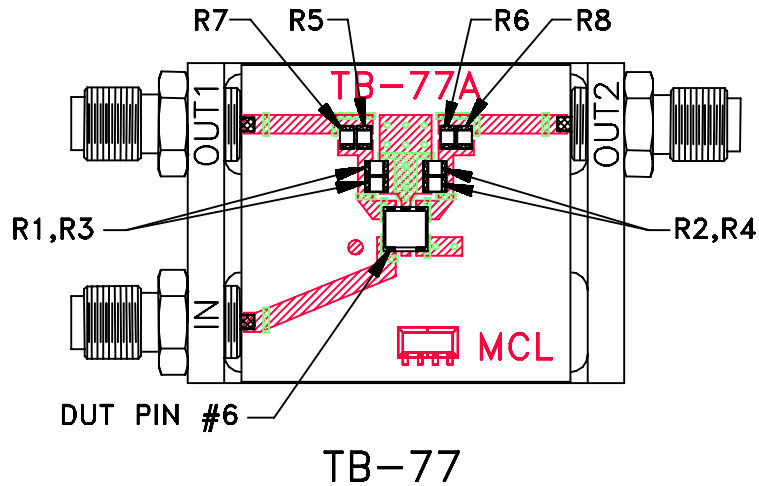



Evaluation Board and Circuit



Schematic Diagram

1. 50 Ohm SMA Female Connectors.
2. PCB Material: Rogers R04350 or equivalent, Dielectric Constant=3.5, Thickness=.030 inch.

 Mini-Circuits®