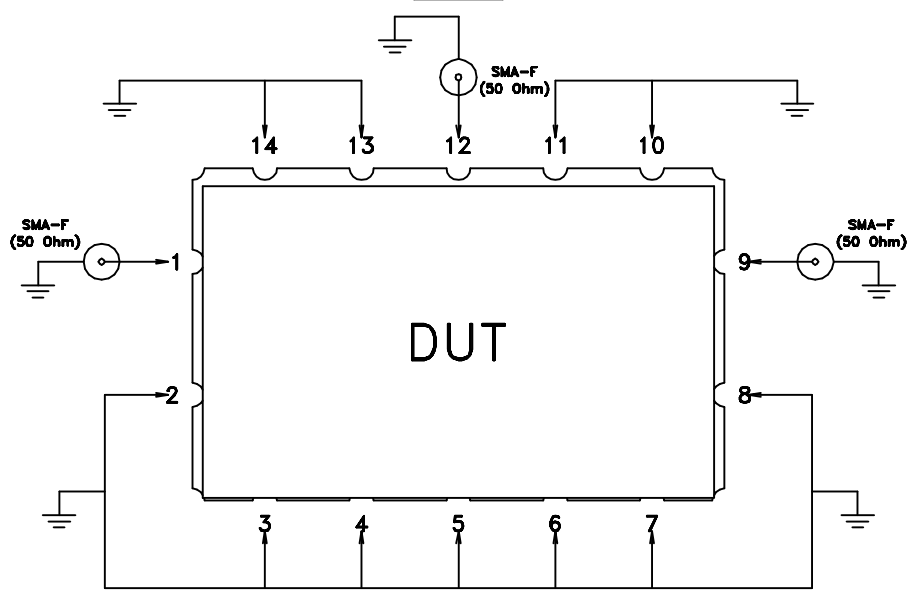
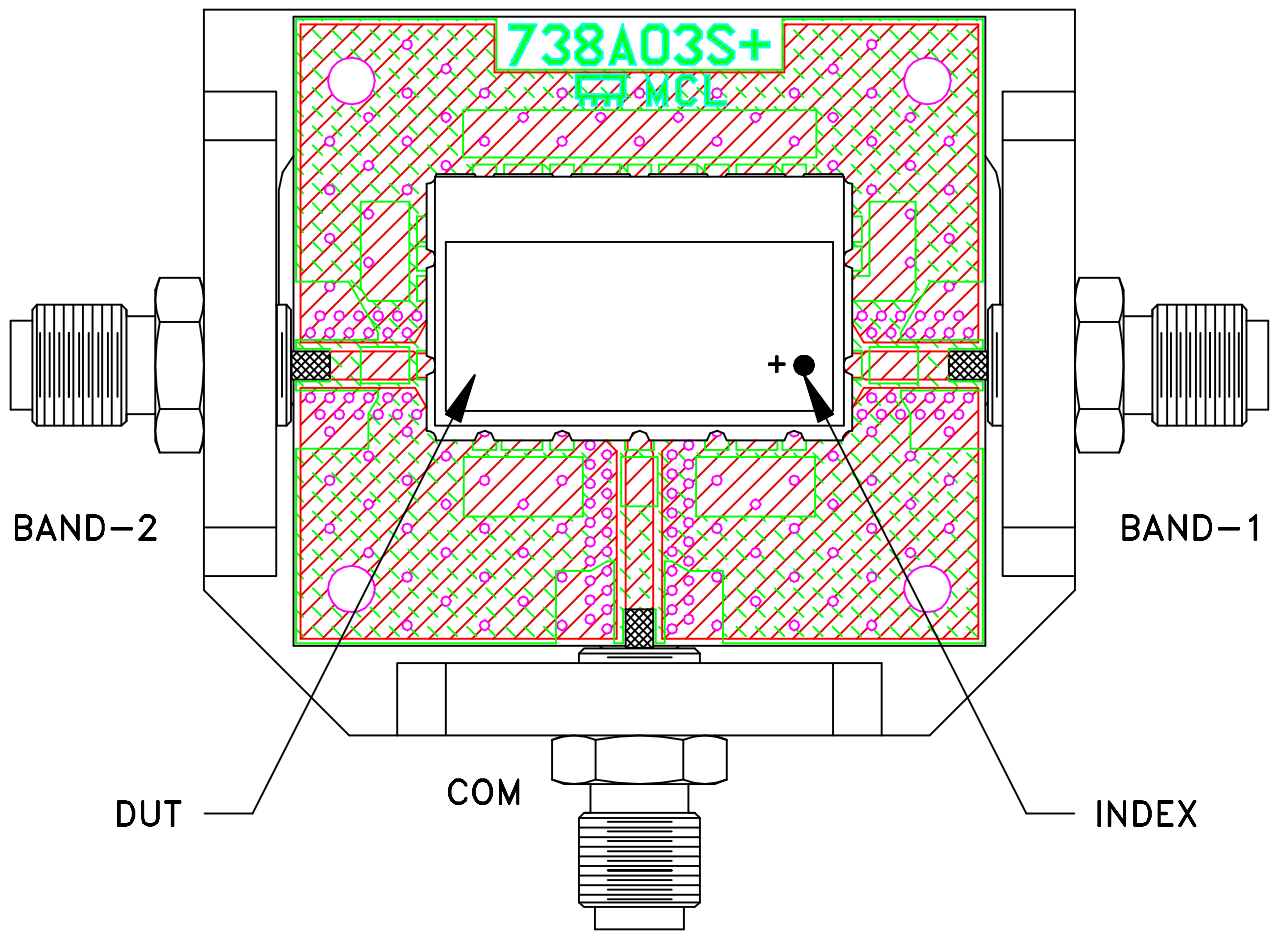


Evaluation Board and Circuit


TB-814+



Schematic Diagram

Notes:

1. 50 Ohm SMA Female connectors.
2. PCB Material: OAK-602 OR Equivalent
Dielectric Constant= $2.50 \pm .04$, Thickness=.022 inch.

 **Mini-Circuits®**